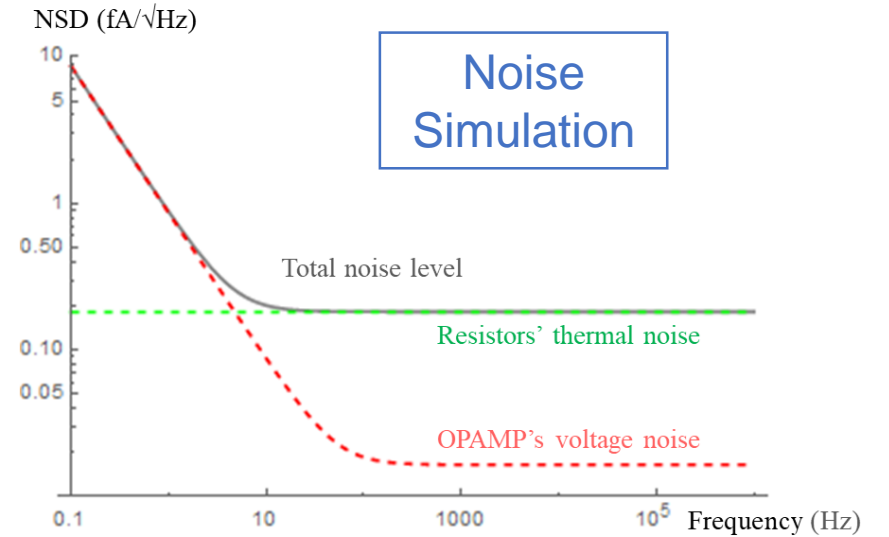
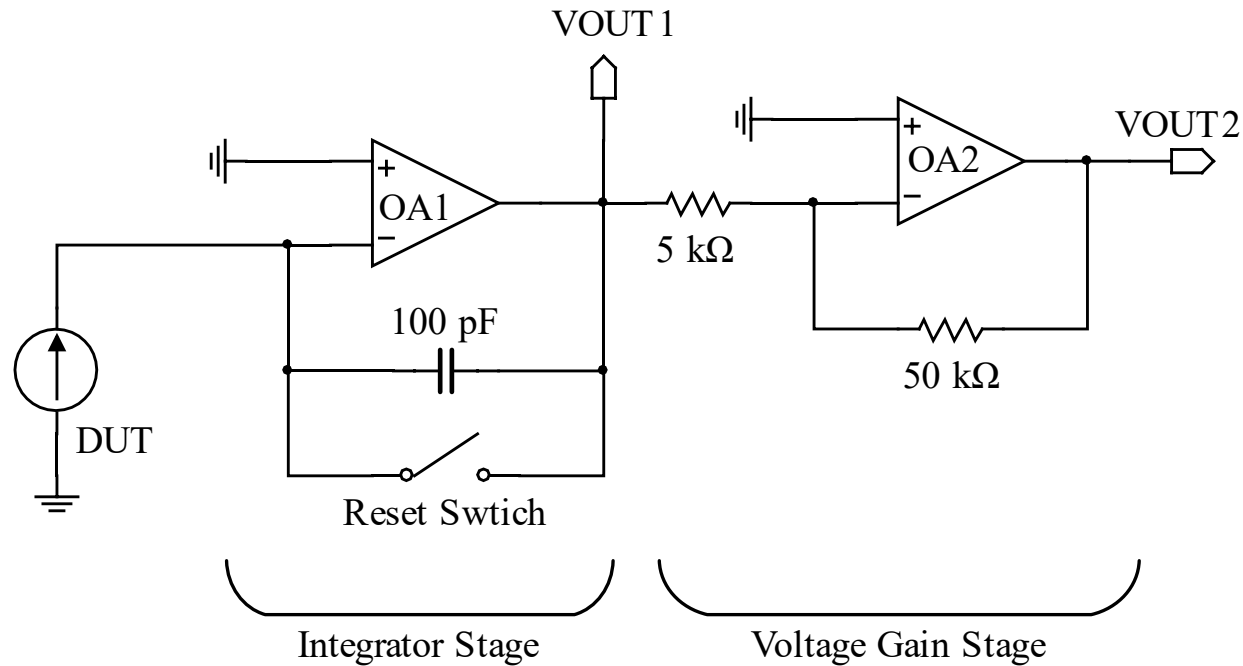
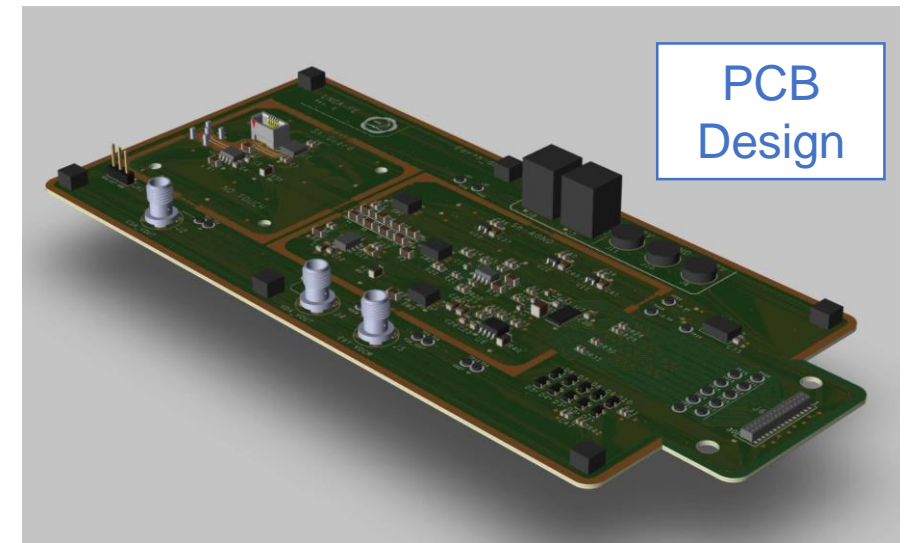


# Low-noise and Stable Transimpedance Amplifier

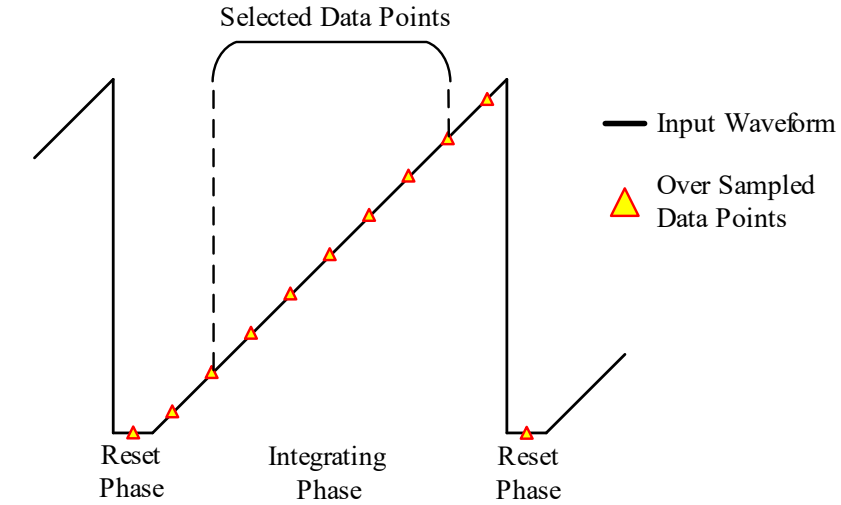
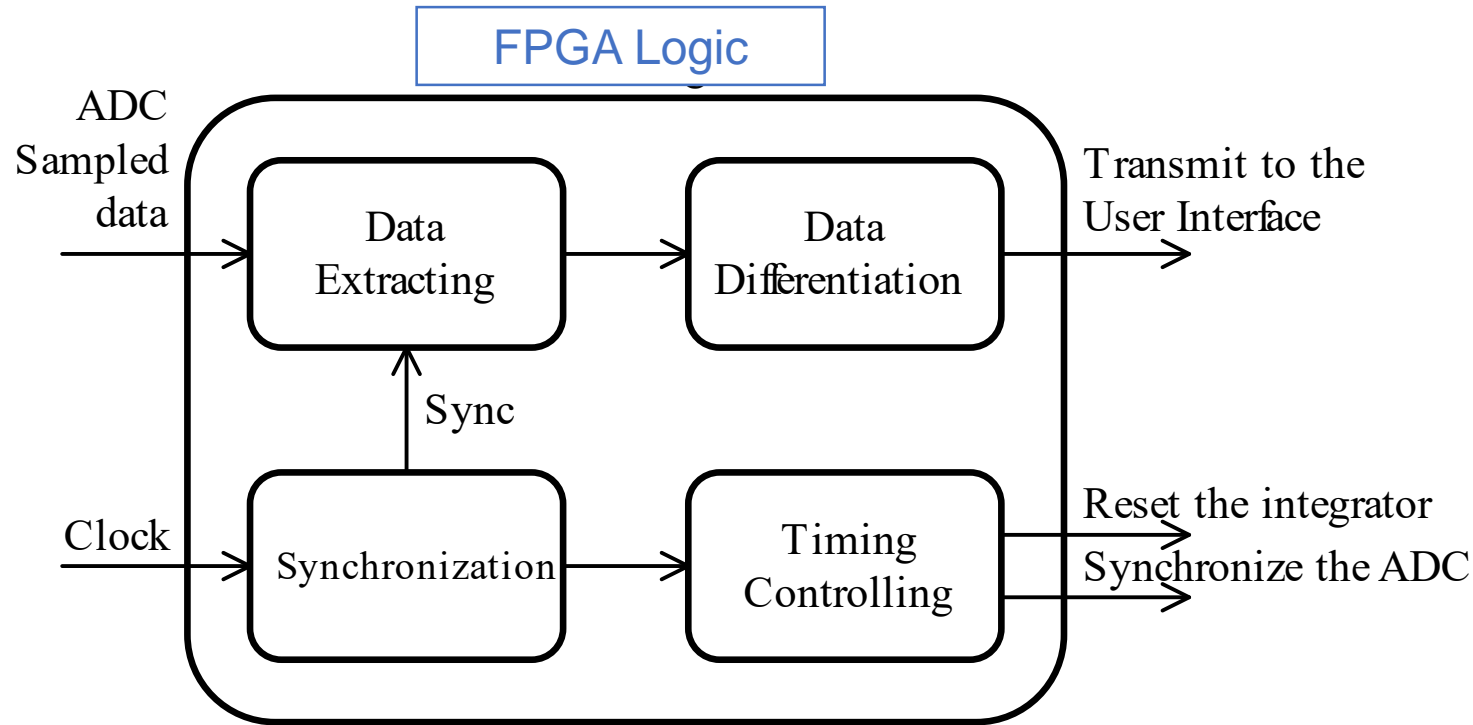


## • 2-stage Amplifier Structure

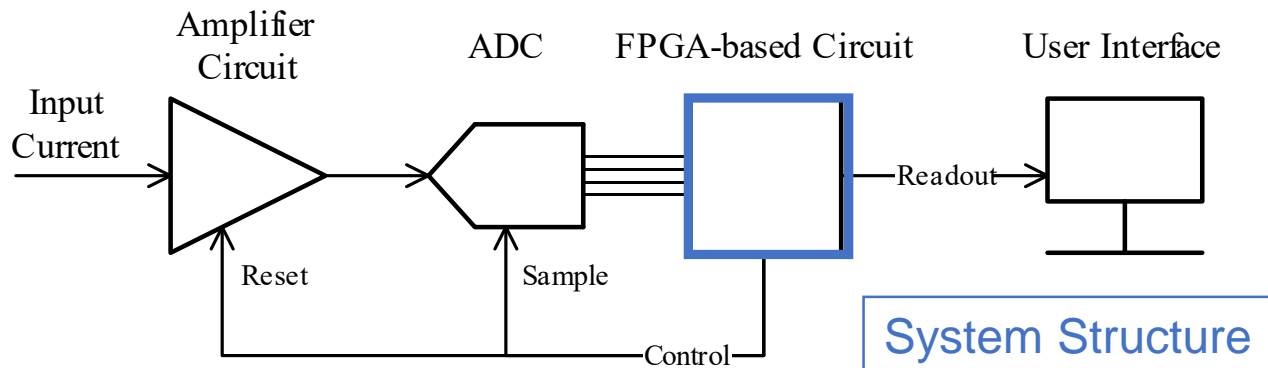
- 1<sup>st</sup> Stage: Integrator  
-> Minimize thermal noise;
- 2<sup>nd</sup> Stage: Providing voltage gain.



# The Control and Readout Circuit



Data Processing



System Structure



PCB