



Integration and Commissioning of the ATLAS Tile Demonstrator Module for Run-3



Fernando Carrió Argos
Instituto de Física Corpuscular (CSIC-UV)
on behalf of the ATLAS Tile Calorimeter System

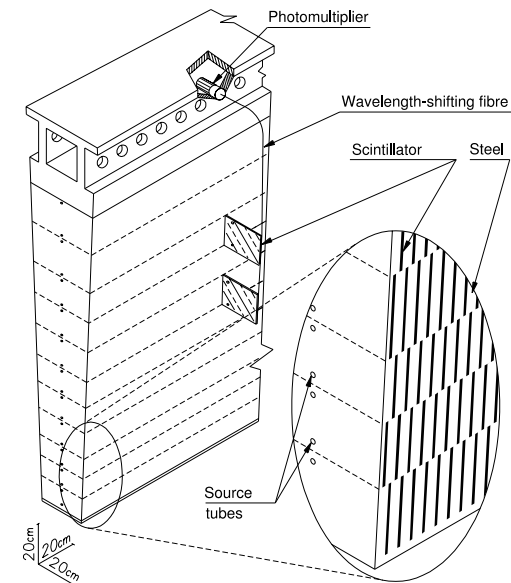
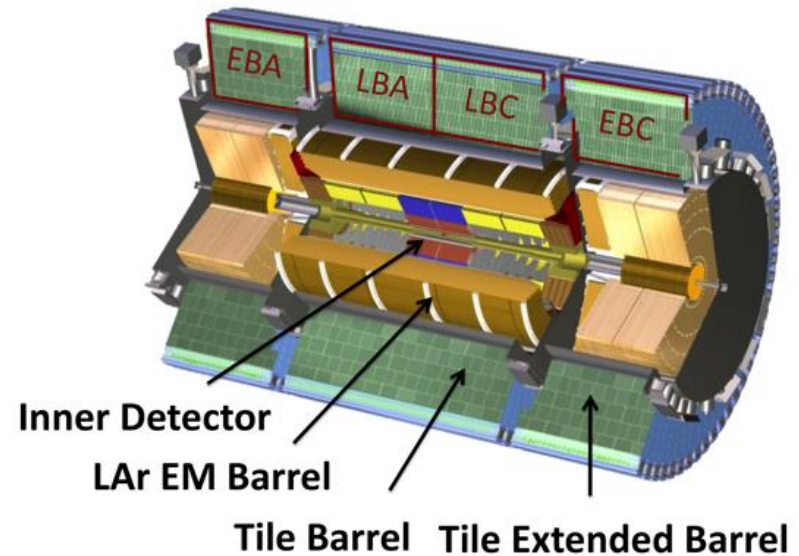


August 5th 2022

*Work supported by the Spanish Ministry of Science and the European Regional Development Funds -
RTI2018-094270-B-I00*

ATLAS Tile Calorimeter

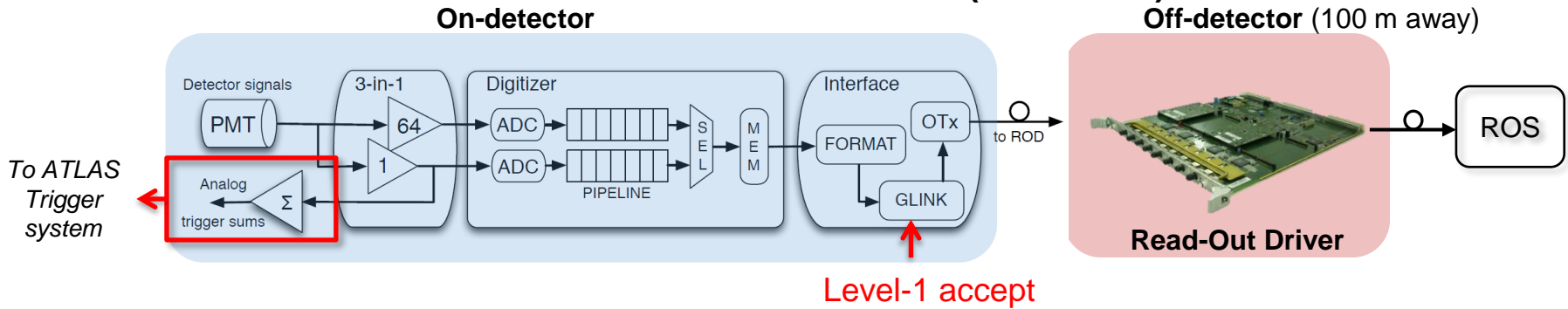
- Central hadronic calorimeter of the ATLAS experiment
 - Covering the central region $|\eta| < 1.7$
- Contributes to the measurement of energies of hadrons, jets, τ -leptons and E_T^{miss}
- Sampling calorimeter made of steel plates and plastic scintillator tiles
 - Wavelength shifting fibers and 2 PhotoMultiplier Tubes (PMTs) per cell
 - Granularity of $\Delta\eta \times \Delta\phi = 0.1 \times 0.1$ in most cells
 - Dynamic range from ~ 10 MeV to ~ 2 TeV per calorimeter cell
- Divided in 4 partitions: EBA, LBA, LBC, EBC
 - Each partition has 64 wedges modules
 - One module hosts up to 45 PMTs
 - Electronics is located in extractable “drawers” at the outermost part of the module
 - 9852 PMT channels for the complete readout



TileCal readout architecture at the HL-LHC

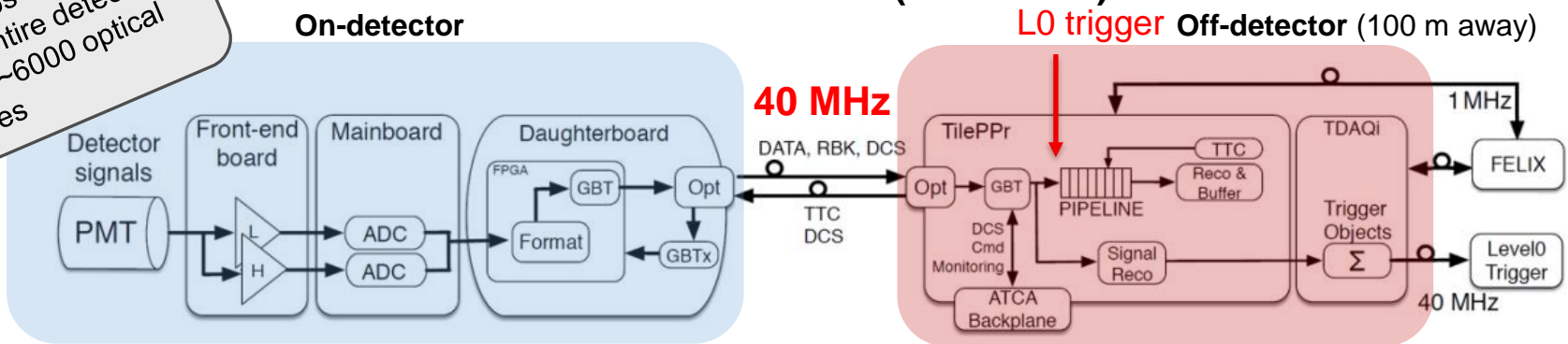
- High Luminosity LHC will achieve instantaneous luminosities a factor 5-7 larger than the LHC nominal value around 2029

Current architecture (2011-2025)



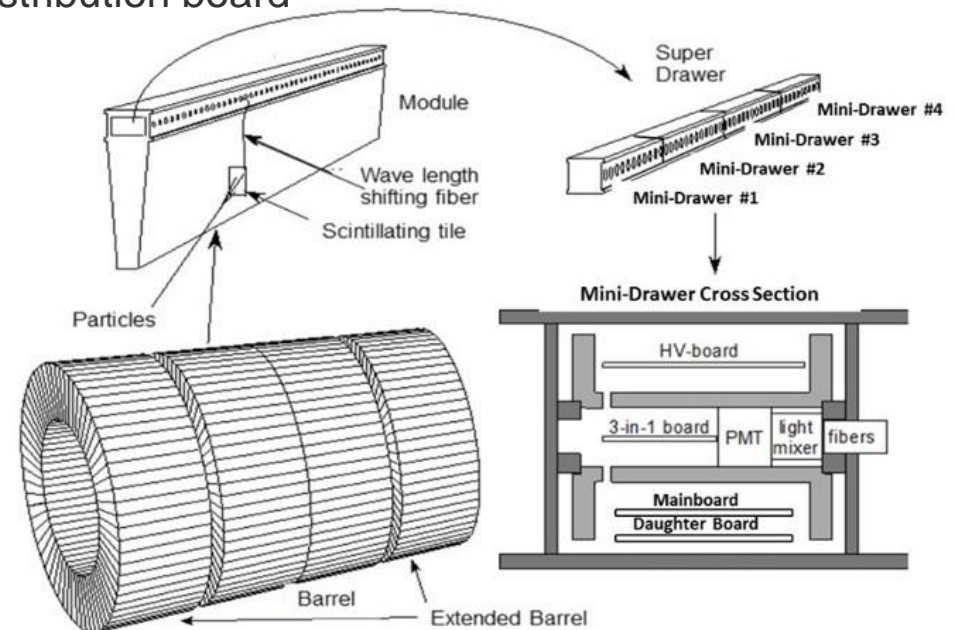
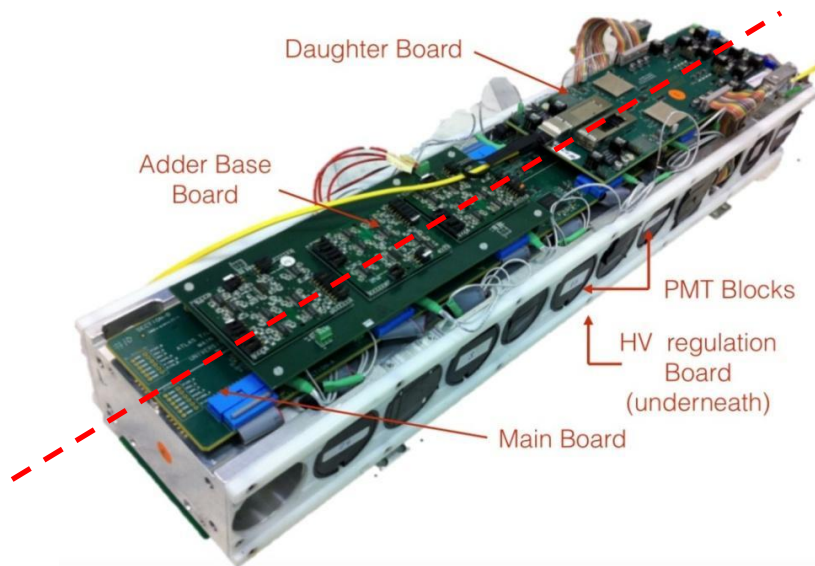
HL-LHC architecture (2029-2040)

40 Tbps to read out the entire detector and ~6000 optical fibres



Demonstrator Module

- Hybrid module composed of 4 mini-drawers
 - Using the clock and readout strategy for the HL-LHC
 - But providing analog trigger towers information to the ATLAS trigger system
- Each mini-drawer has 2 independent sections for redundant cell read out
 - 12×PMTs & 12×Front-End Boards (FEBs) → read out 6 TileCal cells
 - 1×MainBoard, 1×DaughterBoard, 1×HV distribution board



On-detector electronics: FEBs and Active Dividers

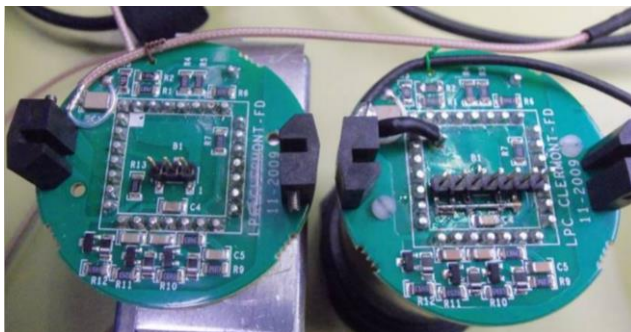
- Front-End Boards: Upgraded 3-in-1 cards
 - Provides PMT pulse shaping with 2 gain amplifications (1:32 ratio -> Low and High gain)
 - Second copy of Low gain signal for analog trigger signals
 - Built-in Charge Injection System for electronics calibration
 - High-precision integrator readout for luminosity measurements and Cs calibration
- Active Dividers
 - Distribute the HV for PMT dynodes using transistors
 - Expected a maximum PMT anode current of $40 \mu\text{A}$
 - Provide an excellent linearity up to $100 \mu\text{A}$

Control & integrator signals

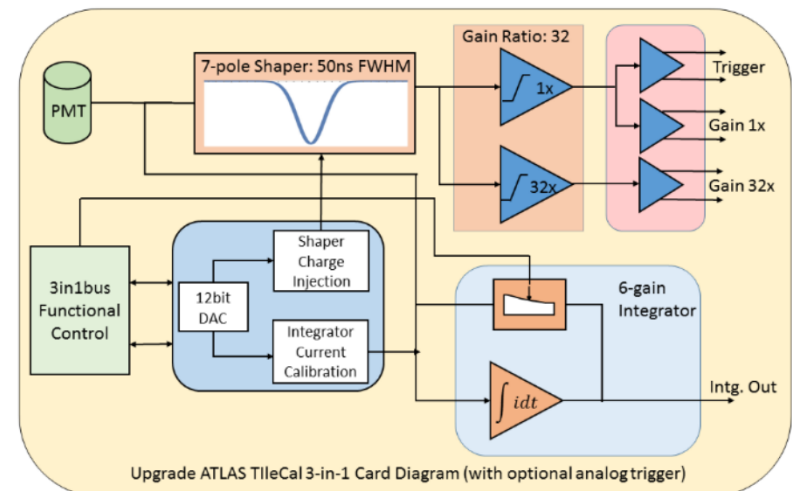
Analog signals



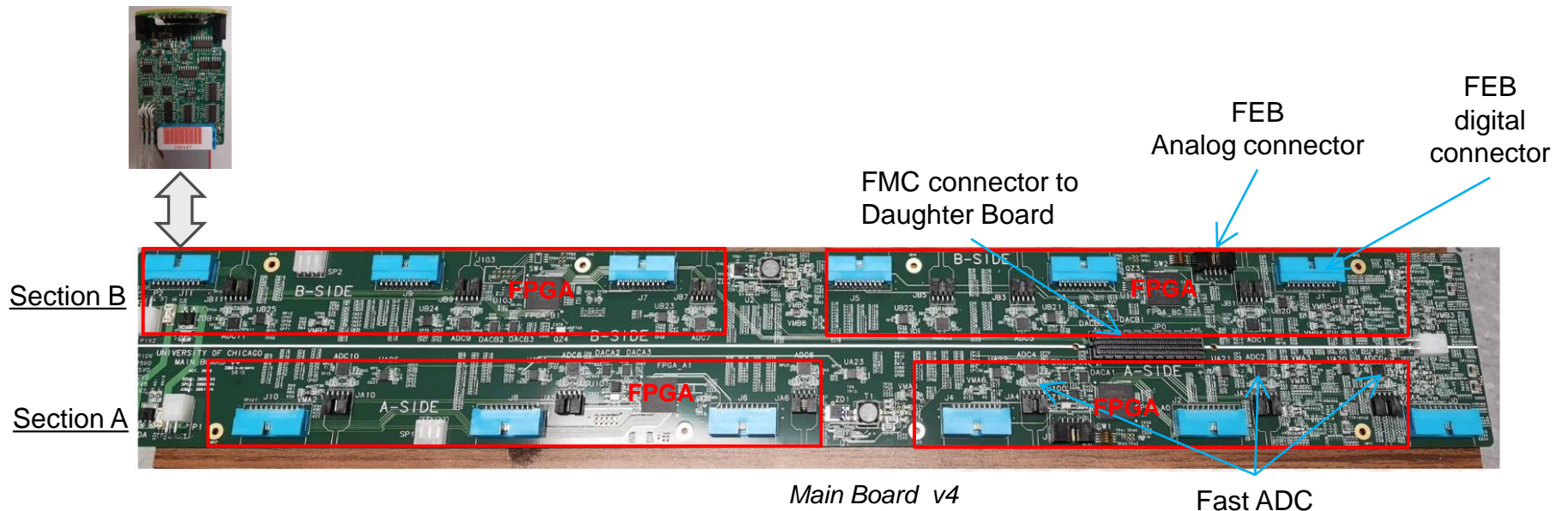
Upgraded 3-in-1 card



Active dividers

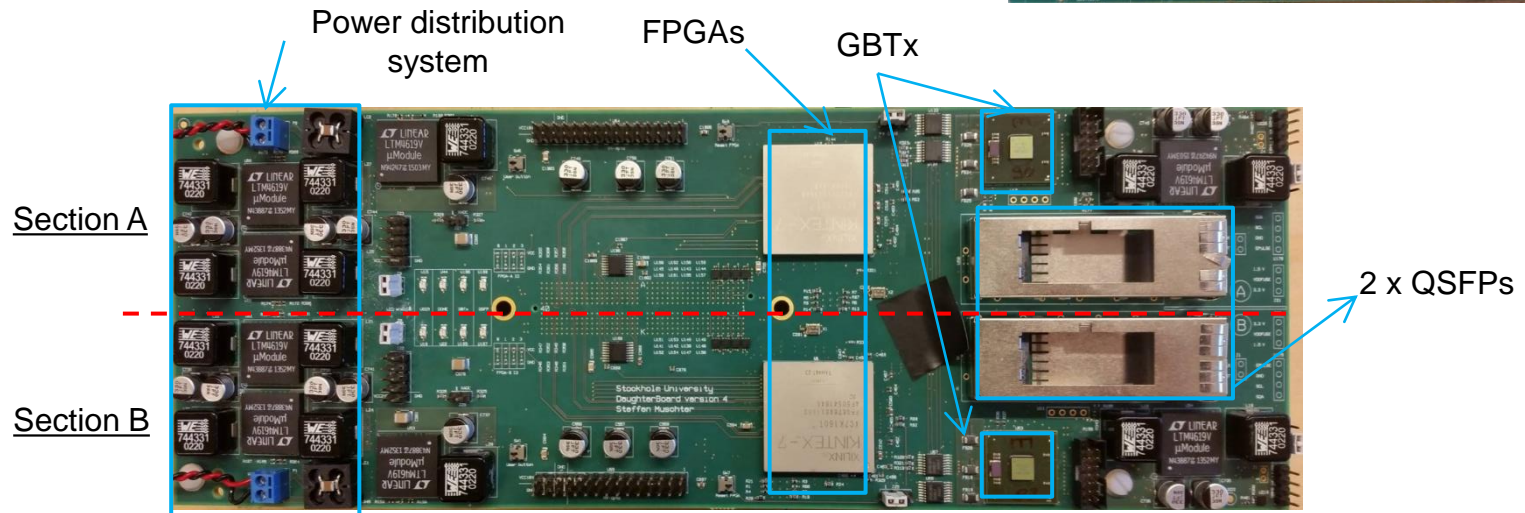
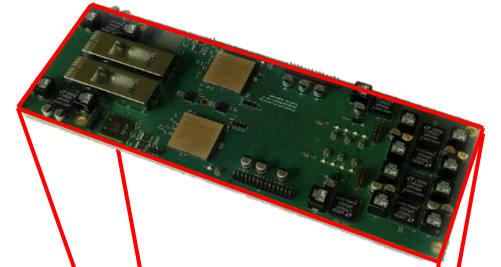


- MainBoard:
 - Digitizes signals coming from 12 FEBs
 - Fast readout: 12-bit dual ADCs @ 40 MSps for 2 gain signals
 - Slow readout : 16-bit SAR ADCs @ 50kSps for integrator readout
 - Provides digital control and configuration of FEBs + high-speed path to the DaughterBoard
 - Divided in two halves for redundancy → readout and power distribution



On-detector electronics: DaughterBoard

- High-speed interface with the off-detector electronics
 - Collection of PMT digitized data from Mainboards and transmission to off-detector electronics
 - Clock and command distribution to FEBs
 - Data link redundancy
- DaughterBoard v4 installed in Demonstrator
 - 2 × GBTx chips for LHC clock recovery and distribution
 - 2 × Kintex 7 FPGAs for communication and data processing
 - 2 × QSFP optical modules
- Possible upgrade to DaughterBoard v6 this year
 - Kintex UltraScale FPGAs and improved clock quality

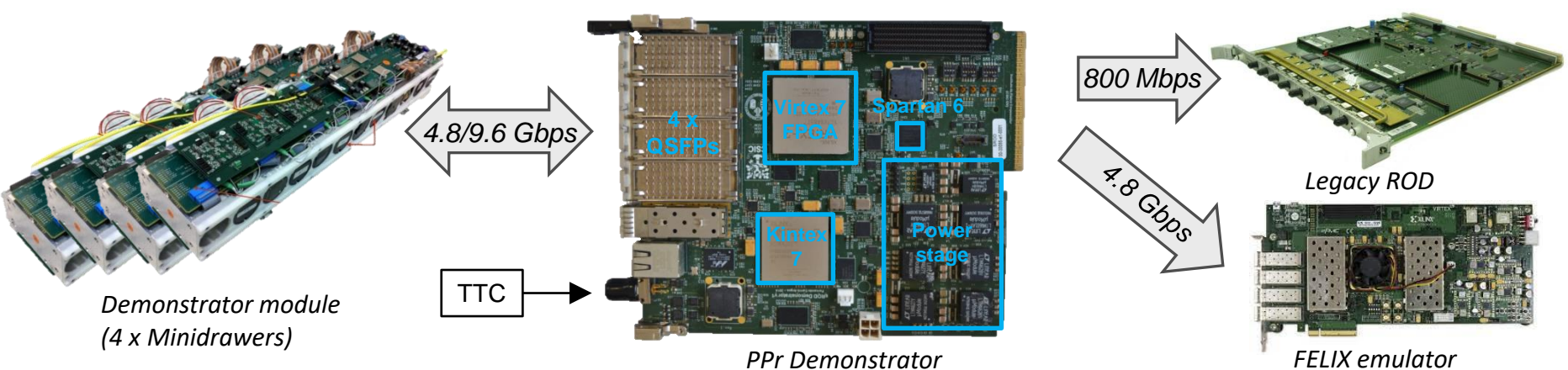


Off-detector electronics: PreProcessor Demonstrator

- Off-detector readout system based on FPGAs and high-speed modules
 - Data acquisition and processing @ 40 MHz
 - Distribution of the LHC clock towards the on-detector electronics
 - Interface with the ATLAS readout system
- Double AMC board equipped with 4 QSFPs, Virtex 7, Kintex 7 and Spartan 6
 - Capable of operating 1 upgraded TileCal module → up to 4 Mini-drawers
 - Operated in an ATCA shelf 100 meters away from the detector
- Enables backward compatibility between the Demonstrator and the current ATLAS TDAQ system
 - Communication with the Timing, Trigger and Control (TTC) system
 - Triggered events are transferred to the ReadOut Drivers and FELIX system
- Possible upgrade to final version → Compact Processing Module

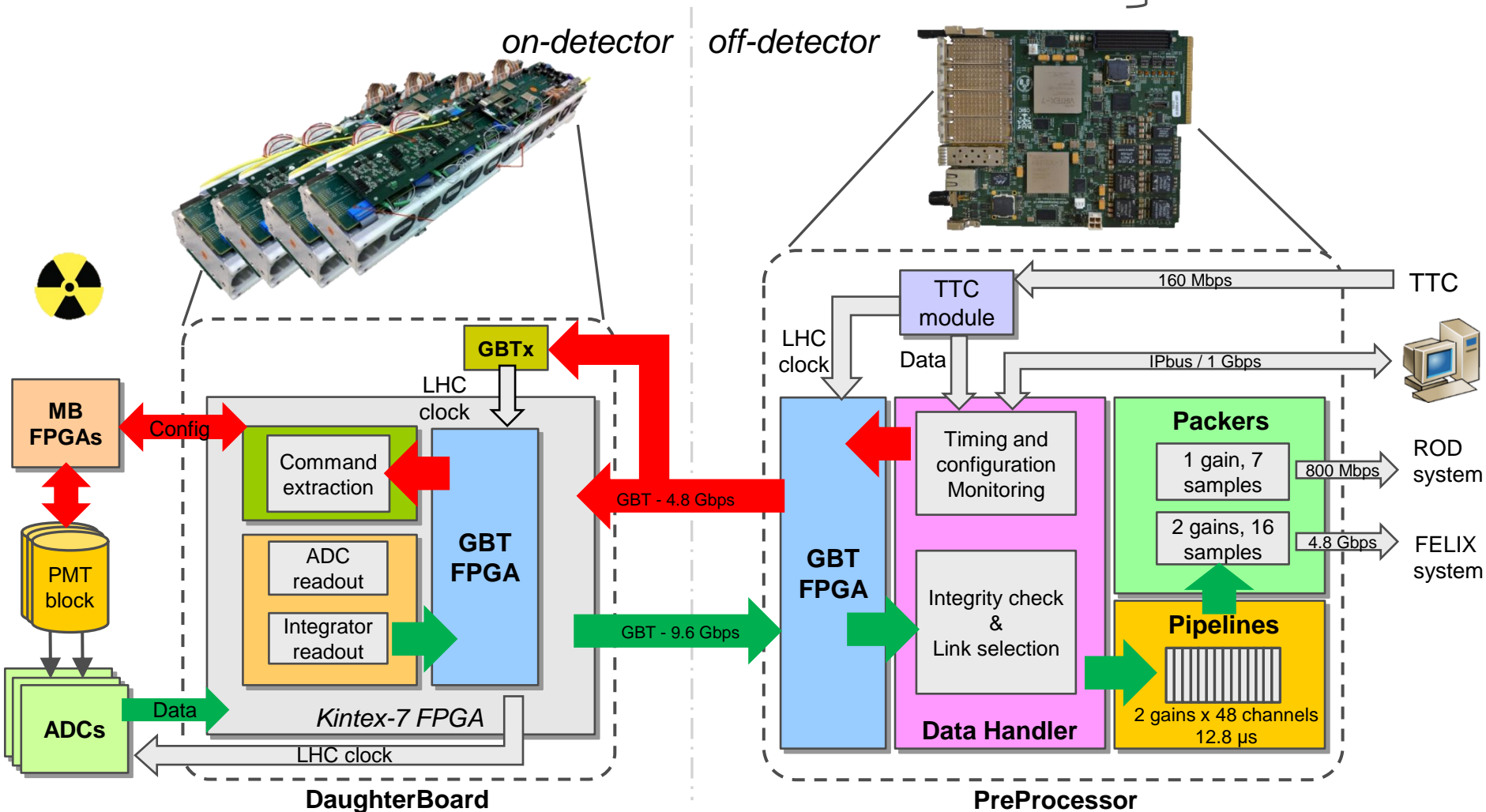


Compact Processing Module



Firmware implementation

- Links configured for fixed and deterministic latency
 - Downlinks: 4 GBT links at 4.8 Gbps → Clock and configuration
 - Uplinks: 4 GBT links at 9.6 Gbps → Data samples, monitoring, sync
- } *per mini-drawer*

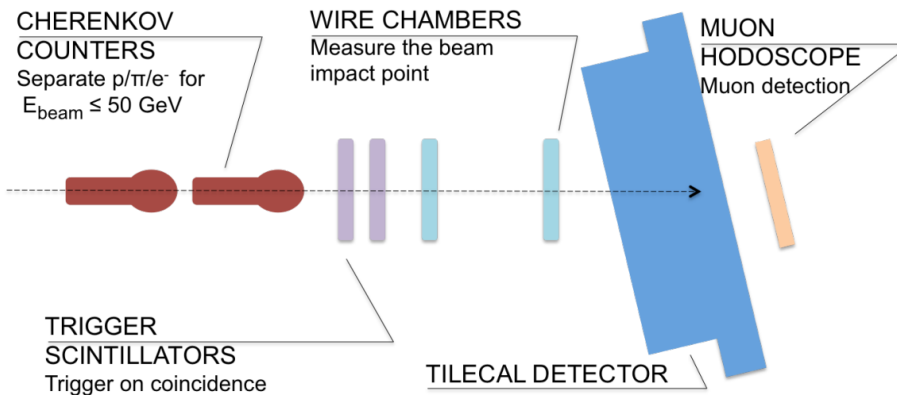


Demonstrator construction and test beams

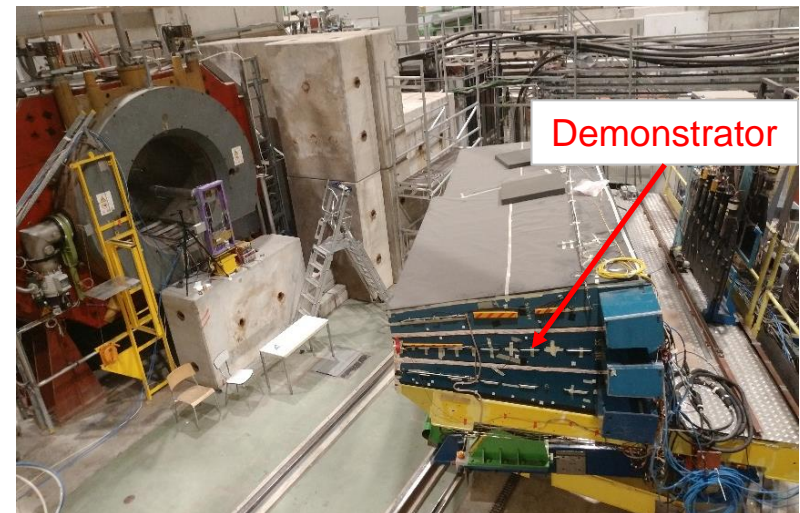
- Demonstrator module was initially built in 2015
 - Latest versions of the upgraded readout electronics & mechanics
- Seven test beam campaigns between 2015 and 2018 at the North Area of the SPS accelerator (CERN)
 - Detector modules equipped with upgraded and legacy electronics for performance comparison
- Beams of hadrons, electrons and muons at different energy ranges and projective angles
 - Study the calorimeter response and S/N performance of the new electronics



First Demonstrator

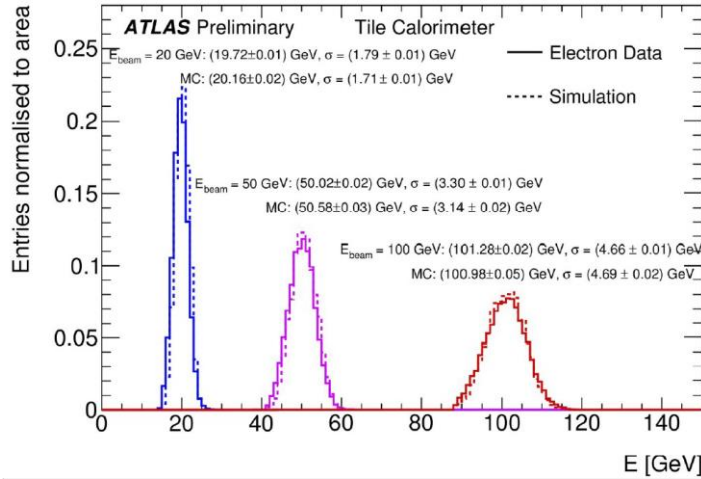


Beam line elements

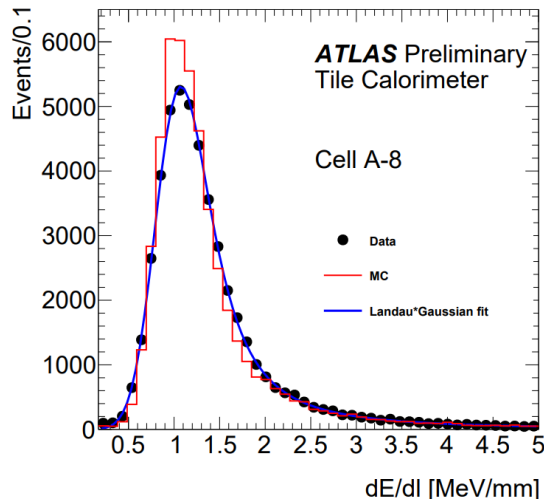


Test beam setup at SPS

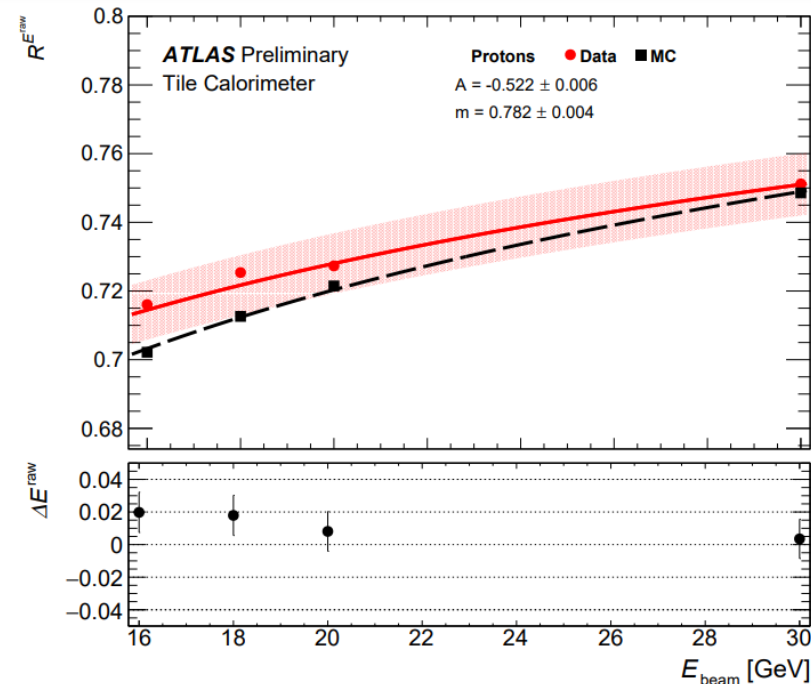
- Data to Monte Carlo response with hadrons, electrons and muons



Calibration for detector response to beams of single electrons better than 2%



Energy losses of muons per length of the path in the cell A8 (cell in the inner most layer) measured at -90°



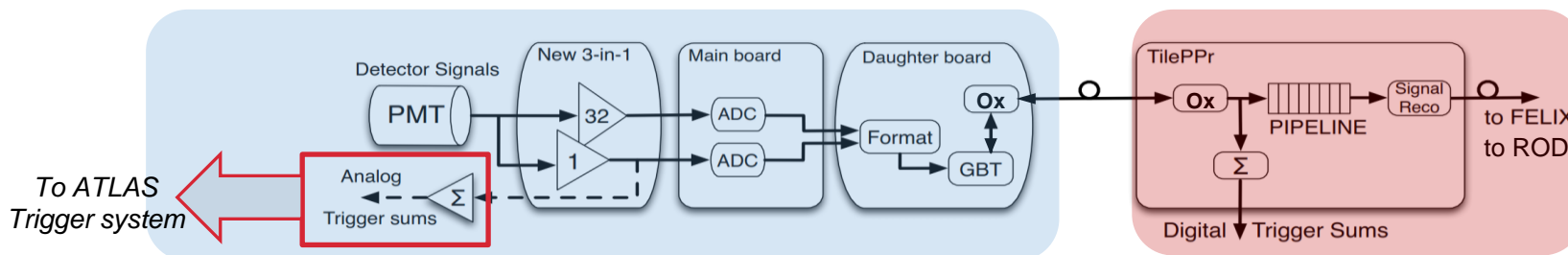
Energy response ratios, $R^{(E^{raw})} = \frac{E^{raw}}{E_{beam}^{raw}}$, as function of the proton beam energy. Ranges of measured/MC variations are within 2.5%

Insertion in the ATLAS experiment

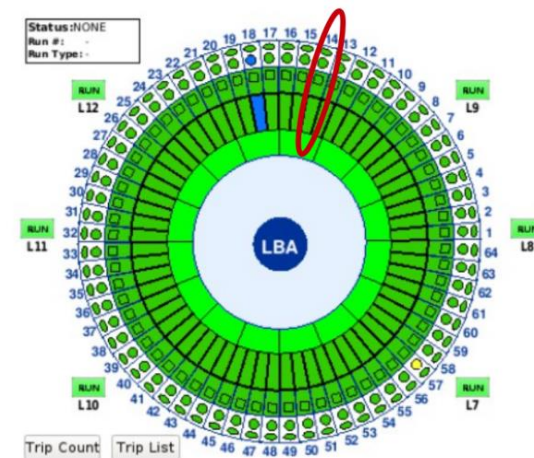


Insertion of the Demonstrator in LBA

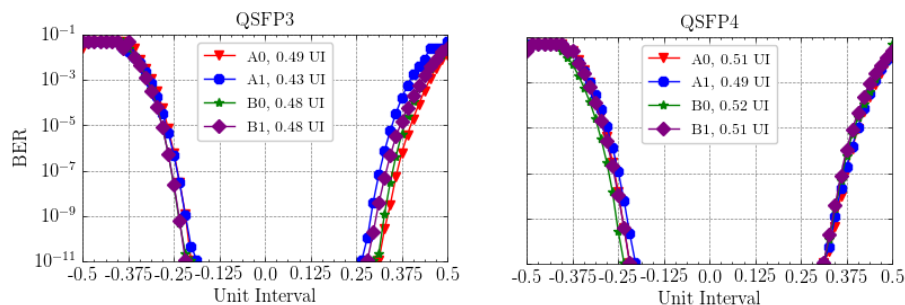
- Demonstrator module inserted in ATLAS July 2019
 - Exercised during the LHC Long Shutdown 2 (2019-2021)
- Operating with backward compatibility with the current ATLAS DAQ system
 - Clock and configuration commands from legacy TTC
 - Triggered event data transmitted to ATLAS DAQ
 - Provides analog cell sums to the ATLAS trigger system



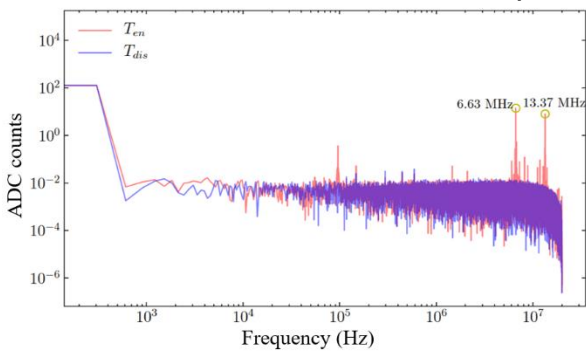
- Fully integrated with the TDAQ and Detector Control System (DCS) softwares
 - Front-end electronics configuration
 - Physics, calibration and laser runs
 - Event builder, offline reconstruction, data quality monitoring
 - HV and LV control and monitoring through the DCS software



- Evaluation of the signal quality between the Demonstrator and the PreProcessor using embedded FPGA resources

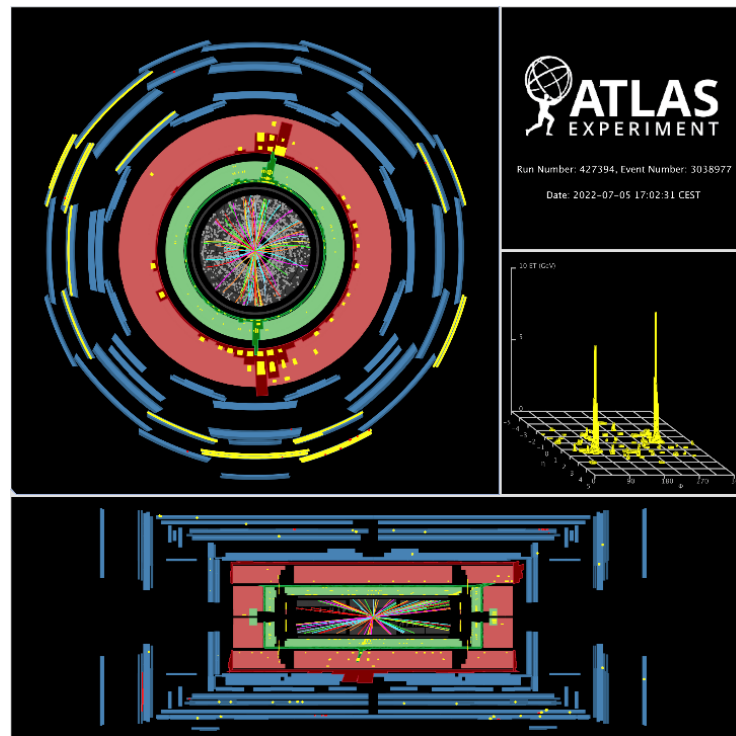


BER test for the Demonstrator uplinks



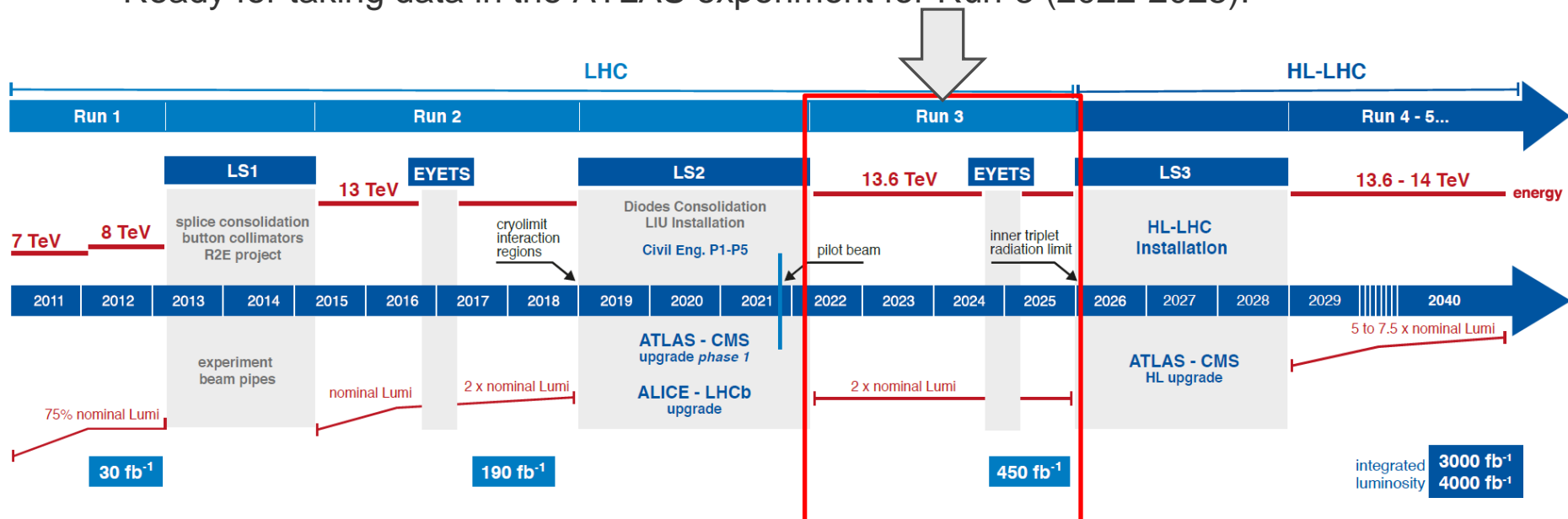
FFT analysis of the pedestal data of a noisy trigger output

- Commissioning of the analog trigger towers
 - Detection of noisy trigger outputs during installation
- Recorded multiple runs with cosmics rays, LHC splash events, laser and CIS
 - Recorded first events at 13.6 TeV this July!
- Demonstrator shows a good and stable performance



Event display of a collision event at 13.6 TeV recorded in ATLAS on 5th July 2022

- New conditions imposed by HL-LHC requires a redesign of the TileCal on-detector and off-detector electronics with a new clock and data readout strategy
- Construction of a “hybrid” upgraded module and off-detector prototypes
 - Extensively exercised during seven test beam campaigns (2015-2018)
- Demonstrator module inserted and commissioned in ATLAS between 2019-2022
 - Implements the clock and readout architecture for the HL-LHC
 - Backward compatibility with the current ATLAS TDAQ and DCS systems
 - Ready for taking data in the ATLAS experiment for Run-3 (2022-2025)!

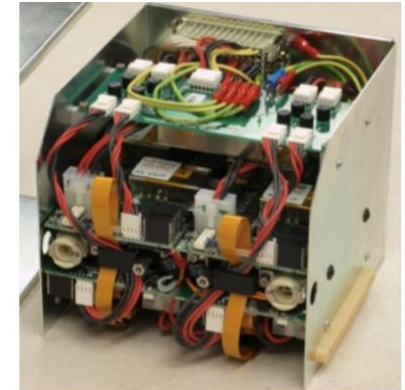


THANKS FOR YOUR ATTENTION

- Three stage system with redundancy
 - 200V from off-detector
 - 8 redundant bricks per mini-drawer (LVPS) to power 4 mini-drawers with 10V
 - Point-of-Load regulators at the Mainboards and DaughterBoards
- Fully control and monitoring from the ATLAS DCS system



Bricks



Low Voltage Power Supply



HV distribution board



48-channels HV remote board

- HV remote boards located off-detector → up to 48 PMTs
 - Provide individual control, monitoring and regulation per PMT
 - Easy access and avoid radiation issues
- HV distribution board per mini-drawer in the on-detector → up to 12 PMTs
- 100 meter long HV cables → 48 pairs of wires

- Data protocol between the DaughterBoards and the TilePPr
- Developed by CERN for data communication in radiation environments
 - GBTx, LpGBT, GBT-SCA chips

- Main features

- 120 bit words @40 MHz → **4.8 Gbps**
- Forward Error Correction capabilities
 - Reed Solomon encoding → up to 16 consecutive error bits

Frame	Wide-Bus
3.2 Gbps	4.48 Gbps

- Two possible implementations in FPGA:

- **Standard:** easy implementation, but no fixed and deterministic latency
- **Latency Optimized (LO):** fixed and deterministic latency at the cost of a complex implementation

119

0

4 bits	4 bits	80 bits	32 bits
Header	Slow Control	Data	FEC

Tile GBT implementation

- Implementation of 16 LO GBT links in the TilePPr
 - Downlink: GBT code with minor modifications
 - not enough bandwidth → **5.76 Gbps only for the PMT samples!**
 - Uplink: not enough clock resources
 - time stamp the data → RX and TX clocks are not in phase
- Two important modifications on the original GBT code
 - Data rate increased by factor two: from 4.8 Gbps to 9.6 Gbps
 - BO-CDR → optimization of clocking resources and data retiming

