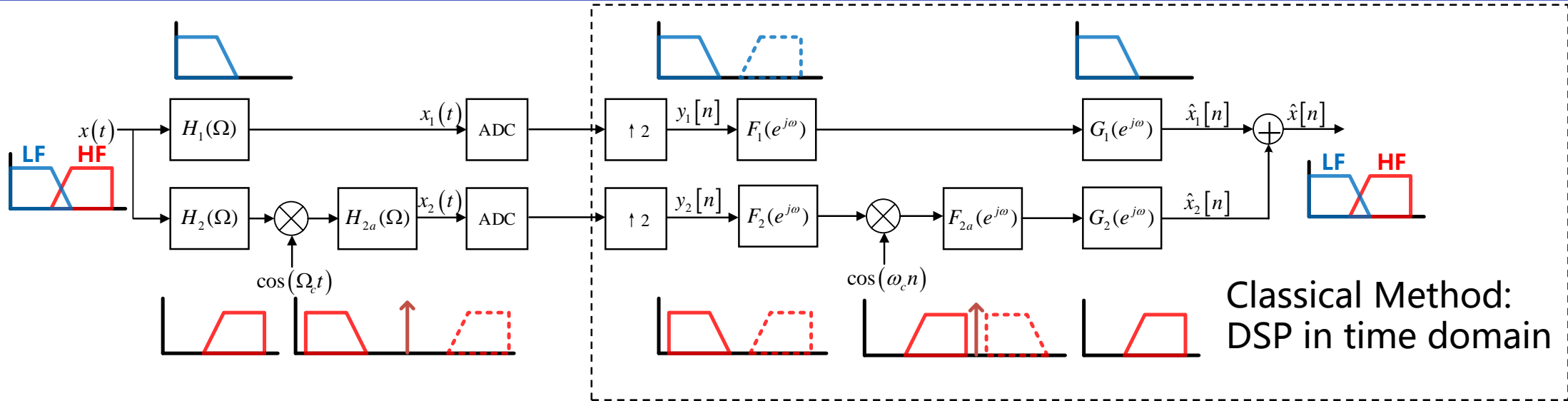
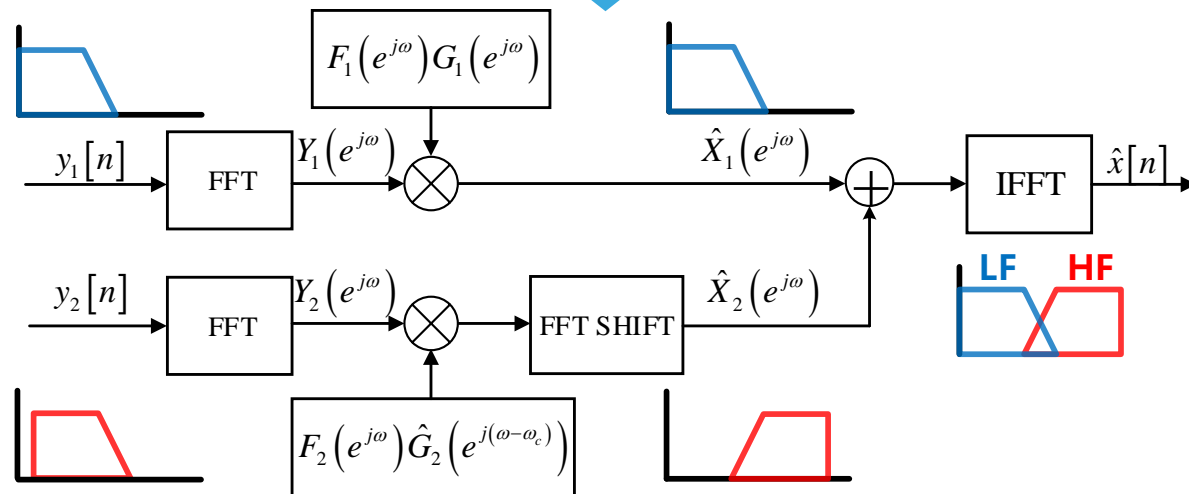


An Efficient Waveform Reconstruction Method for Digital Bandwidth Interleaving Sampling System

Yubo Ma

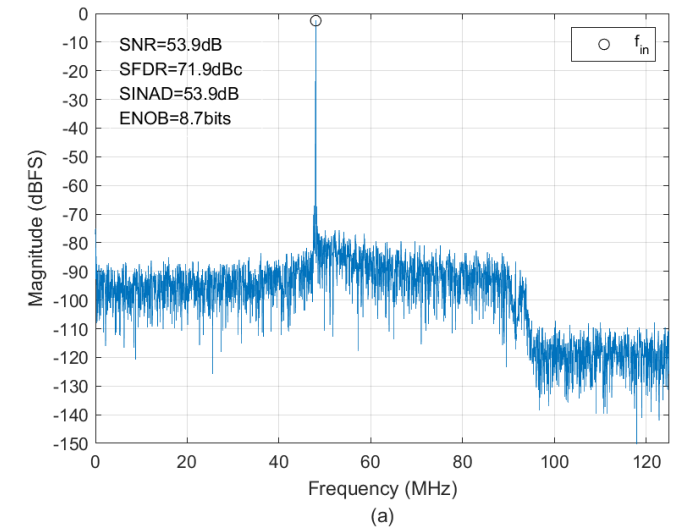
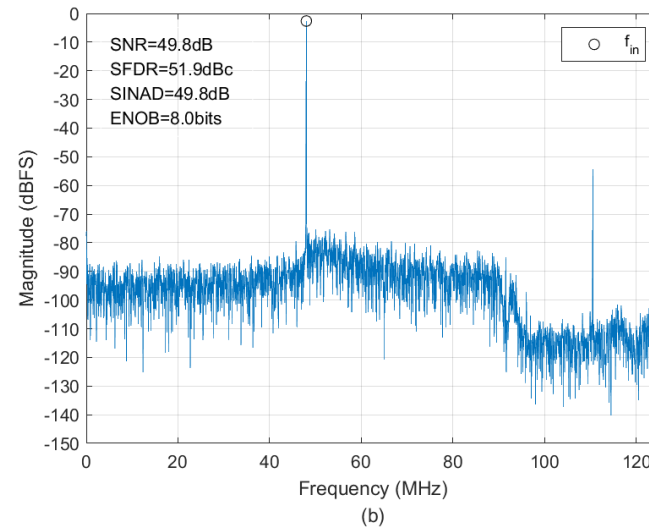
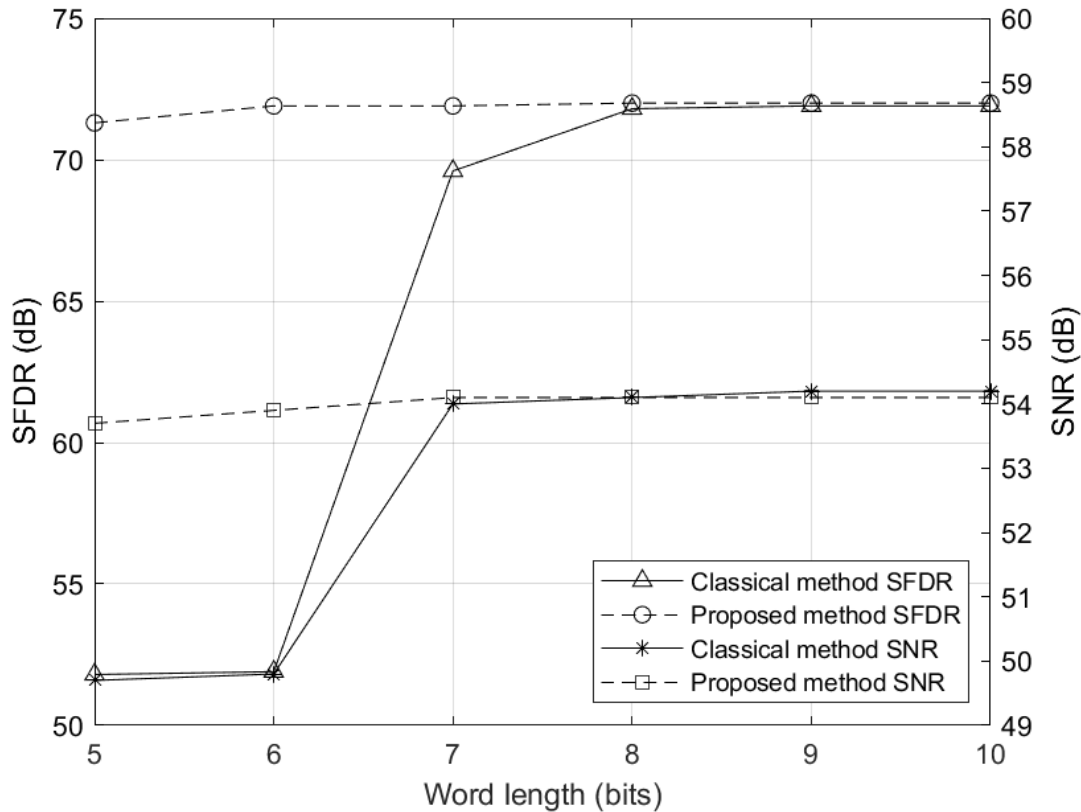


Proposed Method:
DSP in frequency domain



An Efficient Waveform Reconstruction Method for Digital Bandwidth Interleaving Sampling System

Yubo Ma



- DSP resource consumption reduced from 643 to 127 on kintex-7 fpga evaluation platform
- When the filter coefficient word length is 6 bits or even lower, the proposed method has higher SNR and SFDR than classical method