

24th IEEE Real Time Conference - ICISE, Quy Nhon, Vietnam

**Developing an Arduino-Based Peak Detector Circuit
for Gamma Spectrum Measurement**

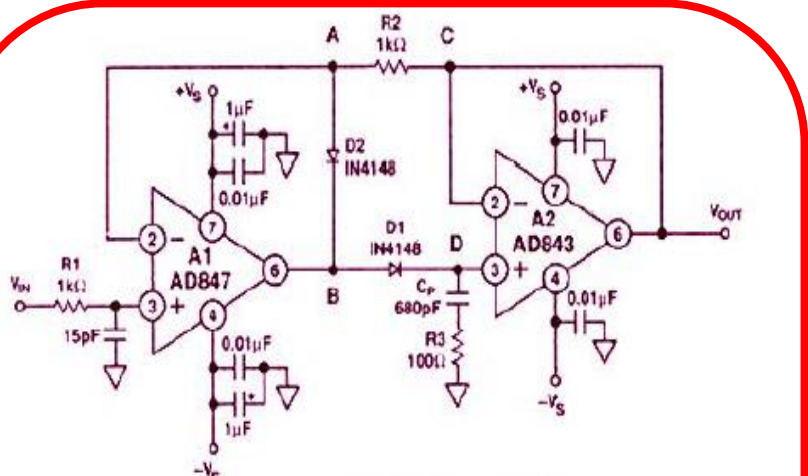


Lai Viet Hai



Nguyen Thi Minh Hien

Engineering Physics Laboratory, Centre For Applications of Nuclear Technique in Industry, Vietnam



[1]. Lew Counts and Mark Murphy, Peak Detector Circuit Captures 200-ns Pulses. With speed and low droop—other performance enhancement feasible Key is FET-input op amp fabricated on complementary-bipolar process, JUN 1990 VOL 24, Analog Dialogue 24-2 1990

