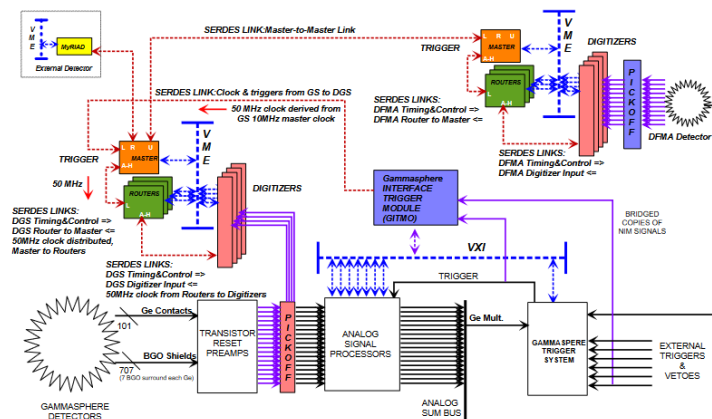


Implementation of the Trigger, Timing, and Control Link for Data Acquisition with the Pixie-Net XL

W. Hennig • XIA LLC, 2744 East 11th St, Oakland, CA 94601, USA

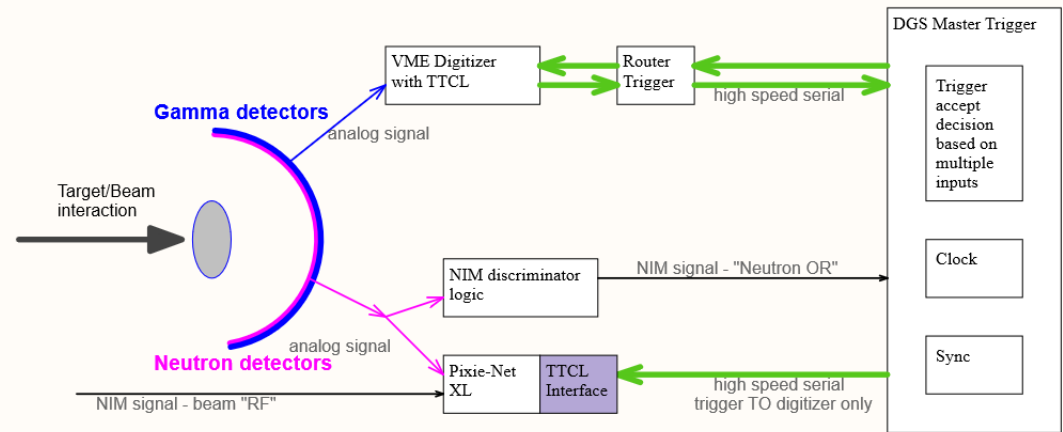
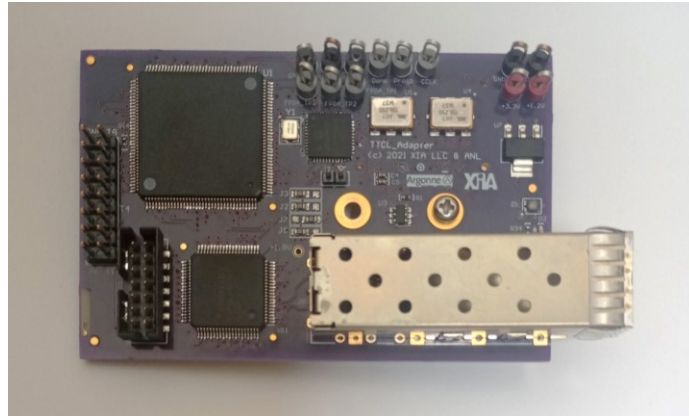
J.T. Anderson, W. Reviol • Argonne National Laboratory, Lemont, IL, USA

- Pixie-Net XL: Commercial multi-channel detector readout electronics standalone desktop external clock/trigger (via coax. cables) White Rabbit (Ethernet) **TTCL**
- TTCL: clock/trigger distribution protocol for Gammasphere, Gretina, GRETA, etc (via fiber)



Implementation of the Trigger, Timing, and Control Link for Data Acquisition with the Pixie-Net XL

- Physical adapter board
- Firmware for adapter board
- Firmware updates for Pixie-Net XL pulse processing



- Now instrumenting the “neutron shell” of Gammasphere
- Synchronized data merged from Pixie-Net XL and “VME digitizers”