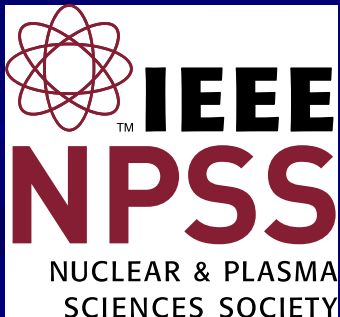


A short history of Real Time Conferences

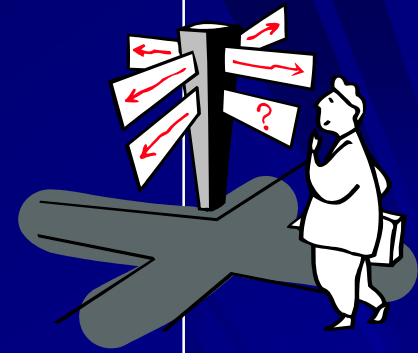


P. Le Dû

patrickledu@me.com



Goals of this presentation

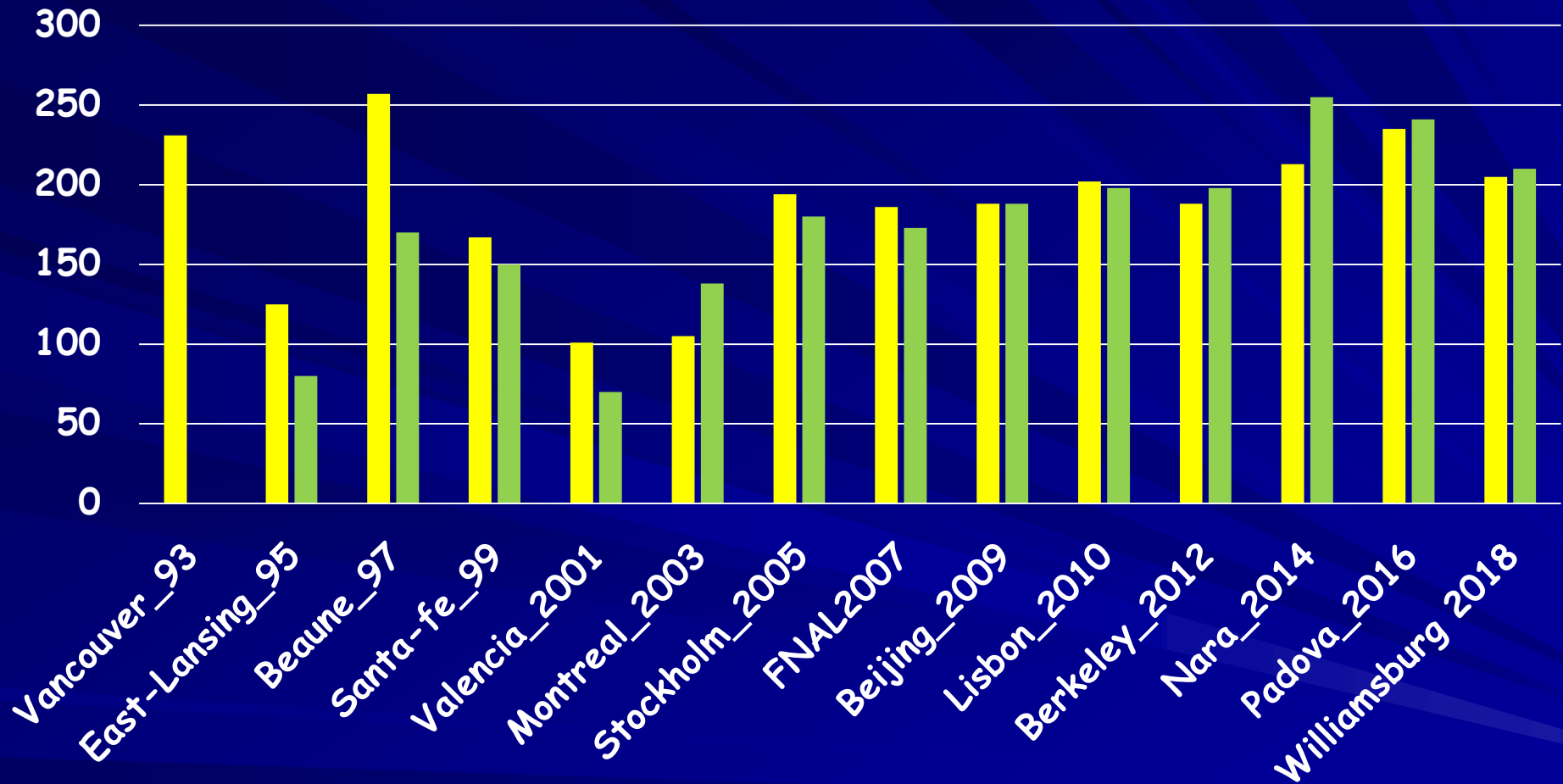


- Give you a little overview of the Real Time Conference over the last 50 years
- I was around for the last 27 years (1993-2000)
- Its evolution to become what it is today
- Apologize if my memory forget something
- I was using some personal documents and photos
- Thanks to Dick Kouzes who gave a lot of information



Long term statistics (1993-2018)

■ Attendance ■ abstracts collected



The prehistoric times 1969-1983

- 1969: Skytop Conference
- 1979: RT-1 Santa Fe (Dennis Perry, conference chair)
- 1979: ad hoc Real-Time Committee formed
- 1981: RT-2 Oak Ridge (Dave Hensley, conference chair)

Objective : begin activities such as creating a tape format for data storage (released as the CANPS format in 1987), and trying to obtain funding to set up a central repository for nuclear and particle physics software in the US.

- 1983: RT-3 Berkeley (Greve Monles, conference chair)

**1984: IEEE CANPS Committee formed
Ed Barsotti (FNAL) 1st CANPS chair**

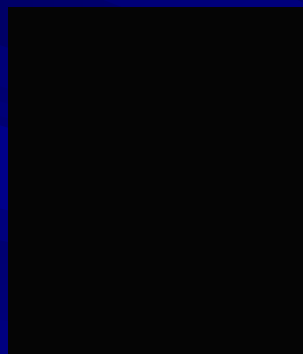
Parallel projection

The early period 1984-92

			Chair	CANPS Chair	Award
1985	RT-4	Chicago (US)	Lester Welch	Ed. Barsotti	
1987	RT-5	San Francisco (US)	Denis O'Brien	Lester Welch	Edwin Norbeck
1989	RT-6	Williamsburg (US)	Roy Whitney	Dick Kouzes	René Brun
1991	RT-7	Julich (GE)	Klaus Mueller	Dick Kouzes	Harry Bisby



*Dick Kouzes
PNL*



*Ed Barsotti
FNAL*



*Peter Clout
Vista Control System*

**1st European RT in
Julich
Klauss Mueller Chair**

The new age (1993-2001)

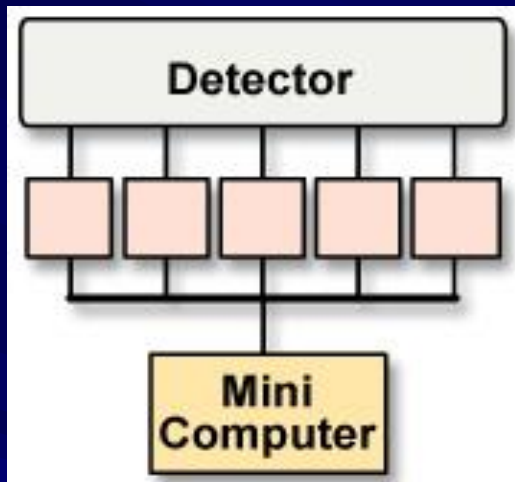
			Chair	CANPS Chair	Award
1993	RT-8	Vancouver (Can)	Renée Poutissou	Ruth Pordes	Lou Costrel
1995	RT-9	East Lansing (US)	Ron Fox	Renée Poutissou	----
1997	RT-10	Beaune (F)	Patrick Le Dû	Tom Koslowski	Phil Ponting
1999	RT-11	Santa Fe (US)	Tom Kozlowski	Christian Boulin	Robert Downing
2001	RT-13	Valencia (SP)	Antonio Ferrer	Christian Boulin	-----

- Majority of HEP : LEP, FNAL Tevatron, SSC, DESY HERA, SLAC (PEP)
- LHC,, SSC SLAC Babar,, Tevatron R2, Tristan, BNL RHIC Fusion,
- Read Out electronics : DSP ..CAMAC, ,Fastbus modules
- Filter and processor farm concept
- (Emulator 370E, Transputers, RISC, ACP , PCI Express, Rapid IO
- software (OS9 ...)
- Microprocessor and VME standard
- Test beam systems
- Event builder (and fast links GB ethernet, ATM ...



*Louis Costrell
1915-2009*

Evolution of DAQ technologies and architectures

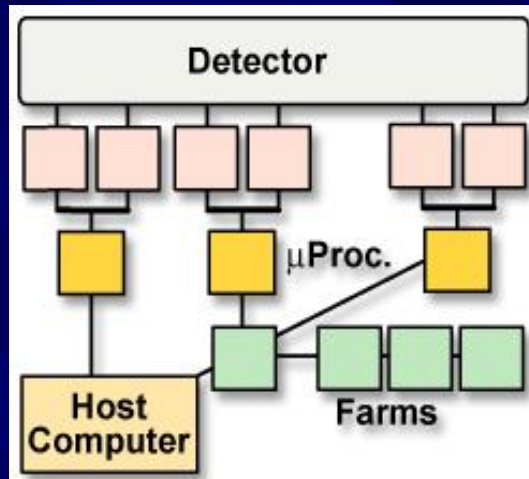


1970-80

CERN PS/SPS

Minicomputers

Readout custom design
First standard: CAMAC
kByte/s

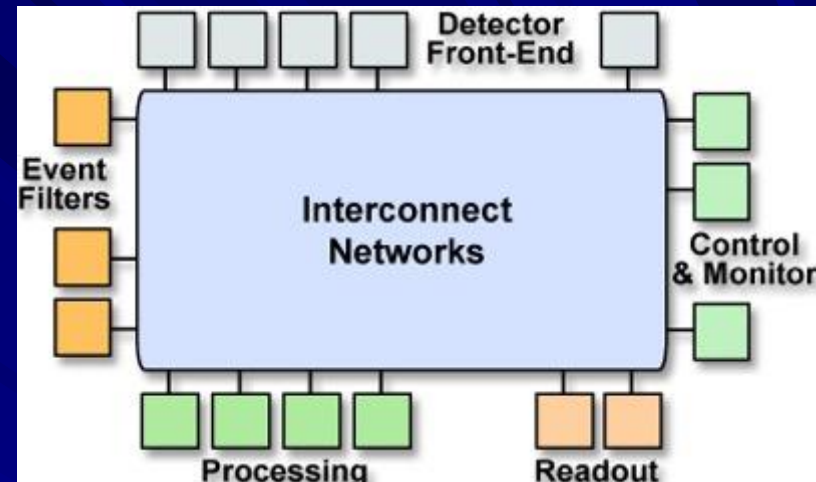


1980-90

LEP

Microprocessors

HEP standards (Fastbus)
Embedded CPU,
Industry standards (VME)
MByte/s

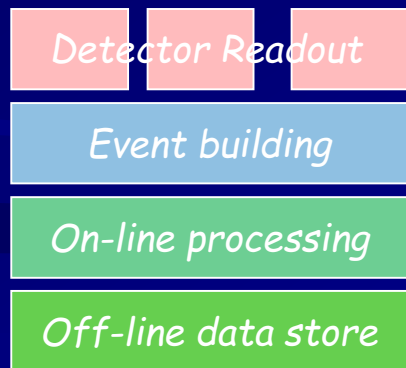


2007 ...

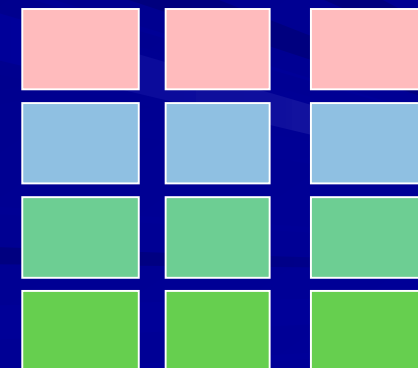
LHC (CMS)

Networks/Grids

IT commodities, PC, Clusters
Internet, Web, etc.
GByte/s



AMU presentation



From S. Cittolin

Beaune 97

Xth IEEE Real Time Conference

Scientific Advisory Committee

- | | |
|---------------|----------------------|
| M. Aguilas | CEMAT Madrid |
| E. Barwell | Ferrelab |
| R. Book | CERN |
| C. Busby | MRI, Heidelberg |
| F. Chou | NSR/IEEE |
| M. Delfino | Univ. Aut. Barcelona |
| D. Doughty | CEBAF |
| J.P. Dufty | CERN |
| K. Fox | Michigan St. Univ. |
| Ph. Gurt | CEASAP |
| G. Kohn | BNL |
| R. Krauss | W. Virginia |
| T. Kozubicki | LNL |
| A. Lankford | UC Irvine |
| M. Levine | BNL |
| M. Martens | Polina |
| F. Mout | ORNL |
| D. Mueller | Princeton |
| K.D. Mueller | Jülich |
| M. Nussli | BCSP Osaka |
| C. Parkman | CERN/SONE |
| R. Puntigam | TRIUMF |
| K. Reinhard | RESTE Nantes |
| B. Rivas | INSULAP Paris |
| V. Schmidt | JET |
| M. Sjöström | CEA Saclay |
| J. Vandenplas | NIKHEF |
| W. Van Wazer | CEI Darmstadt |
| A.A. Wilson | Los Alamos |

Local Organizing Committee

- | | |
|-------------|---------------------------------|
| E. Angel | LAL |
| P. Bagnard | DAPNIA-SEI |
| R. Dier | DAPNIA-SAP |
| F. Edouard | CPFM - <i>co-Chairman</i> |
| G. Gaudin | ESEF |
| F. Houdou | CEA-IBFC |
| P. Le Dê | DAPNIA-SPP - <i>co-Chairman</i> |
| J. Loring | LAPP |
| J. Martin | DAPNIA-SPIN |
| R. Pignat | GANDL |
| B. Rahn | GANDL |
| F. Touchard | CPFM |
| C. Vaudard | CERN |

Beaune France September 22 - 26

- Real time requirements and technologies
- Architecture paradigms of real time systems
- Data acquisition systems and triggers
- Data transfer and fast networks
- Critical data processing for embedded systems
- Software engineering, prototyping and modelling
- Design of safety critical applications
- Databases for real time systems
- Real time distributed applications
- Remote control

1997 Beaune France



The Hotel Dieu



Chateau de Meursault diner Wine tasting



Secretariat: rt-97@in2p3.fr
Web: www.in2p3.fr/rt97
Dead-line for abstract subm

The new age (2003-2010)

			Chair	CANPS Chair	Award
2003	RT-13	Montreal (Can)	J.P. Martin	Christian Boulin	-----
2005	RT-14	Stockholm (SE)	Richard Jacobson	J.P. Martin	Ed Barsotti
2007	RT-15	FNAL (US)	Margaret Votava	J.P. Martin	Peter Clout
2009	RT-16	Beijing IHEP (CN)	Yifang Wang	J.P. Martin	S. Cittolin
2010	RT-17	Lisbon (P)	Carlos Varandas	Stefan Ritt	A. Luchetta

- HEP (LHC) Fusion Medical Imaging,
- MTCA standard
- FPGA

13th REAL TIME Conference 2003

Abstract Deadline:
January 17, 2003



2003 Montreal



Jean -Pierre Martin
Chair

Latest developments on Real Time techniques in Plasma, Nuclear, Particle Physics, in Astrophysics and applications in Biology, Medicine and Industry

Program Committee

Chair : R. La Du (CEA, FR)
F. Barone (BNPL, IT)
C. Boulton (EPNL, DE)
D. Calvert (CEA, FR)
R. Osofi (Vista System, U.S.A.)
J.P. Dufoy (CEBR)
Ph. Gavillet (CEBR)
R. Kozlowski (PRL, U.S.A.)
T. Kozdowski (LANL, U.S.A.)
A. Lankford (UCI, U.S.A.)
J. Looze (ORNL/BNL, FR)
W. Moses (JRL, U.S.A.)
M. Nomachi (Osaka, JP)
V. Schenck (EURATOM)
H. Von Der Schmitz (DESY, DE)
G. Watts (Washington U, U.S.A.)

Local Organizing Committee

Chair : J.P. Martin (Univ. de Montréal)
P.A. Amaudruz (TRIUMF)
R. Lapointe (Univ. de Sherbrooke)
C. Leroy (Univ. de Montréal)
D. Karlsen (Univ. of Victoria)
R. Poutasou (TRIUMF)
K. Rogan (Univ. McGill, Montréal)

Local arrangements :
H. Martin (Montréal)

Sessions

- Real Time systems architecture
- Signal processing
- Algorithms implementation
- Trigger and data acquisition
- Event building and fast networks
- Controls, monitoring and GUI's
- Software framework and tools
- On line databases
- Networked computing (i.e. GRID's.)
- Industrial standards and trends
- Medical imaging processing

Short Courses and Tutorials

E-mail: rt2003@hep.saclay.cea.fr
<http://www.dapnia.cea.fr/rt2003>

Fields	%
HEP	55
Plasma	11
Nuclear Physics	9
Medical (new)	8
Astrophysics	7
Others	10

2003 Montreal Omni Hotel



J.P. Dufey CERN



M. Levine` BNL



*Dinner at the
Omni Hotel*



14th IEEE-NPSS Real Time Conference 2005

AlbaNova University Centre
Stockholm, Sweden

June 5-10, 2005

Interdisciplinary conference on the latest real time computing applications in plasma physics, nuclear physics, particle physics, astrophysics, and in accelerators and medicine.

www.sysf.physto.se/RT2005

Conference topics

- Real Time system architectures
- Front-end signal processing
- High speed synchronous control systems
- Triggers and data acquisition
- Event building and fast networks
- Online processing farms and high level triggers
- Online databases
- Control and monitoring systems
- Medical systems and data processing
- Emerging Real Time technologies

- Tutorial and Short courses

**Abstract deadline
27 February 2005**



General Chair

Richard Jacobsson (IEEE) RT2005general@physto.se
1011 Geneva 21 - Switzerland

Executive committee

Christian Böhm	Stockholm University	SE
Christian Doulas	LMU	DE
Fabrizio Le Du	CERN	CH
Jean-Pierre Dufley	CERN	CH
Rip Latham	SLAC	US
Steen-Peter Skarvin	University of Montreal	CA

Local organizing committee

Christian Böhm	Stockholm University
Steen-Helmer	Stockholm University
Stig Larsson	Karolinska Institutet
Bengt Lind-Jensen	Royal Institute of Technology
Mark Pearce	Royal Institute of Technology
Tomasz Mikulajewicz	Stockholm University

Organizing institutes and sponsors

Stockholm University, Sweden
Royal Institute of Technology, Stockholm, Sweden
CERN/INFN, Turin, France
CERN, Geneva, Switzerland
SLAC-BNL/CAS
Royal Swedish Academy of Sciences, Stockholm, Sweden

Scientific program committee

Alberto Rossi	University of Napoli	IT
Peter Andre Anagnost	Staat	CA
Fabrizio Barone	University of Salento	IT
Christian Böhm	Stockholm University	SE
Anders Brubaker	Karolinska Institutet	SE
Denis Calvet	CERN	CH
Chikara Fujiwara	Osaka University	JP
Fabrizio Le Du	CERN	CH
Jean-Pierre Dufley	CERN	CH
Reid Duffell	EPSC	CA
Philipp Gander	CERN	CH
Hermann Grossecke	Forschungszentrum Karlsruhe	DE
Niccolò Grieco	Forschungszentrum Jülich	DE
Stig Larsson	Karolinska Institutet	SE
Jürgen Lingg	INFN/INFN	IT
Ulrich Lohmeyer	BNL	US
Roger Lousener	University of Stellenbosch	CA
Isaki Muraoka	CERN	CH
Bill Myers	LBL	US
Masaharu Nomachi	Osaka	JP
Mark Pearce	RIT	US
Marino Pavesi	INFN	IT
Stéphane Petit	PSI	CH
Walter Schmidt	Los Alamos	US
Hans Van Der Schoot	DESY	DE
Xuesi Xie	CERN	CH
Gordon Wirth	Washington University	US
Yusuf Zou	Surin University	TH

2005 Stockholm



*Richard Jacobsson
Chair*



*Christian Böhm
Co-Chair*

**'Bo YU' Abstract
management system**

2007 Fermilab

IEEE NPSS 15th Real Time Conference

Fermilab, Batavia, Illinois, USA
April 29 - May 4, 2007

An interdisciplinary conference on the latest
real time computing applications: nuclear &
plasma sciences • particle physics • astrophysics •
space science • accelerators • medicine & biology

Scientific Advisory Committee

- | | |
|-----------------------------|-------------------------|
| Antonuzzi, Piero (Italy) | Li DG, Patrick (USA) |
| Barnes, Fabrizio (USA) | Lepore, Arthur (USA) |
| Buchta, Christian (USA) | Le Vins, Michael (USA) |
| Calet, David (USA) | Leininger, Lester (USA) |
| Carver, John (USA) | Leininger, Lester (USA) |
| Chen, Peter (USA) | Liou, Hsiang (USA) |
| Croft, Scott (USA) | Martin, John (USA) |
| Eckert, Gunter (USA) | Nachtmann, Ina (USA) |
| Garavito, Harold (USA) | Nomachi, Masaharu (USA) |
| Harris, Mike (USA) | Ortiz, Vivian (USA) |
| Heyes, Graham (USA) | Panich, Martin (USA) |
| Hess, Klaus (USA) | Rai, Stefan (USA) |
| Hughes-Jones, Richard (USA) | Schwartz, Viktor (USA) |
| Jacobson, Richard (USA) | Singh, Shou (USA) |
| Konrad, Richard (USA) | Walker, Margaret (USA) |
| | Waltz, Gordon (USA) |
| | Wu, G.Z. (USA) |

<http://computing.fnal.gov/cd/rt07/>



Margaret Votava Chair

19 Oct 2020



Peter Clout Award

CANPS Committee created

AMU presentation

2009 IHEP Beijing

16th Real Time Conference

IEEE-NPSS Technical Committee on Computer Applications
In Nuclear and Plasma Sciences

May 10-16, 2009 IHEP, Beijing

An interdisciplinary conference on the latest real time computing applications in plasma physics, nuclear physics, particle physics, astrophysics, space science, accelerators, and in medicine and biology

Topics

Ultra Fast Analog and Timing digitizer and converter
Front-end Signal Processing
Real Time System Architectures
Trigger and Data Acquisition
High Level Triggers
Event Building and Fast Networks
High Speed Synchronous Control
Online Processing Farms
Online Databases
Controls and Monitoring Systems
Emerging Real Time Technologies
New standards (ATCA)

General Chair WANG, Yifang, IHEP

General Co-Chair SHU, Yantai, TJU

Email: rt09-chair@ihep.ac.cn

Phone: +86-10-8823-5014

Fax: +86-10-8823-3374

Chair, Local Organizing Committee

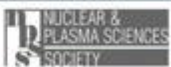
LIU, ZhenAn, IHEP

Email: rt09-chair@ihep.ac.cn

Phone: +86-10-8823-6718

Fax: +86-10-8823-3083

<http://www.ihep.ac.cn/english/conference/rt2009/>



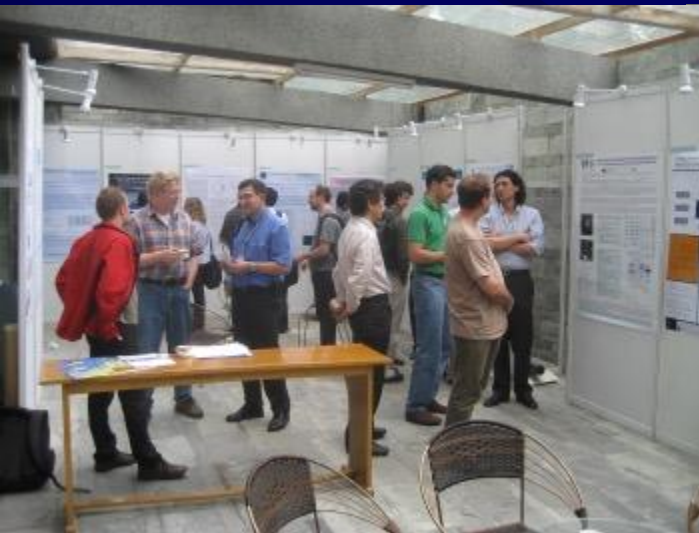
Yifang Wang`
Chair



Zen Ann Liu
Program Chair

CANPS Comittee meeting





Posters



Conference room



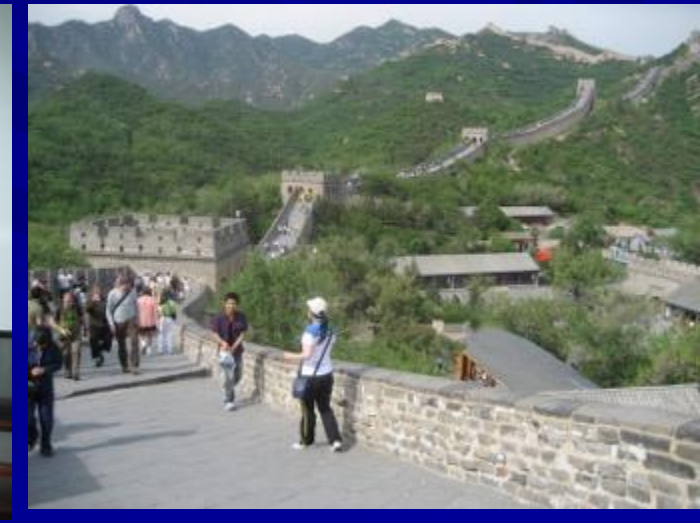
Senior Award



Short course



Students award



*Great Wall
Excursion*

2009 Beijing Dinners



2009 Beijing



Membership

We have to thanks them!

17th Real Time Conference



IEEE-NPSS Technical Committee



on

Computer Applications in Nuclear and Plasma Sciences

24-28 May 2010, Lisboa, Portugal



ORGANIZED BY



TOPICS

- Ultra Fast Analog and Timing digitizer and converter
- Front-end Signal Processing
- Reconfigurable Hardware
- Real Time System Architectures
- Trigger and Data Acquisition
- High Level Triggers
- Event Building and Fast Networks
- High Speed Synchronous Control
- Online Processing Farms
- Online Databases
- Controls and Monitoring Systems
- Emerging Real Time Technologies
- New standards (ATCA, etc)

TARGET AUDIENCE

- Particle, Nuclear Physics and Astrophysics
- Nuclear Fusion
- Accelerator
- Medical Physics
- Space
- General Radiation Instrumentation

PARALLEL SESSION

Tutorials and ATCA Workshop

CONTACT

Office of RT 2010
Instituto de Plasmas e Fusão Nuclear
Av. Rovisco Pais
1049-001 Lisboa, Portugal

Phone: +351 21 841 7818
Fax: +351 21 841 7819
e-mail: rt2010@ipfn.ist.utl.pt

19 Oct 2020
<http://rt2010.ipfn.ist.utl.pt>

2010 Lisbon



Bruno Consalves & Carlos Varandas



*Stefan Ritt
CANPS Chair*

First mini Oral sessions

The modern age (2012 -2020)

			Chair	CANPS Chair	Award
2012	RT-18	Berkeley (US)	S. Zimmermann	Stefan Ritt	Chris Parman
2014	RT-19	Nara (JP)	M. Nomachi	M. Purschke	Chen Yi Chi
2016	RT-20	Padova (IT)	A. Luchetta	M. Purschke	Roger Lecomte
2018	RT-21	Williamsburg (US)	David Abbot	M. Grossmann	T. Friedlan
2020	RT-22	Quy Nohn (VN)	Stefan Ritt	M. Grossmann	J.P. Martin

- HEP & NP , upgrades, non accelerator ,XFEL, Fusion,,Medical
- Fast front end electronics
- Emerging technologies
- Software trigger ,GPU,
- Machine learning

2012 Berkeley



Sergio Zimmermann
RT Conference General Chair

*Sergio Zimmermann
Chair*

18th **REAL-TIME
CONFERENCE**

2012

June 11-15, 2012, Berkeley, CA

An interdisciplinary
conference –

realtime data acquisition
and computing in the
physical sciences
applications.

Key dates:

Deadline for abstract submission: **March 2, 2012**

Program available: **April 2, 2012**

Tutorials and xTCA Workshop: **June 9-10, 2012**

Applications Include:

High energy physics, Nuclear physics, Astrophysics and astroparticle physics, Nuclear fusion, Medical physics, Space instrumentation, Nuclear power instrumentation, Realtime security and safety, General radiation instrumentation.

Topics:

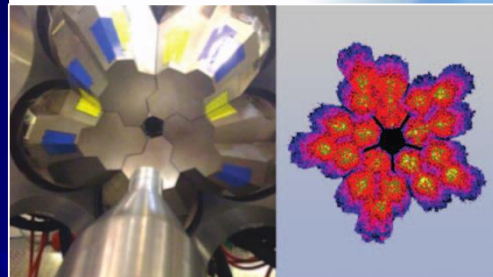
Realtime system architectures, Intelligent signal processing, Fast data transfer links and networks, Trigger systems, Data acquisition, Processing-farms, Control, monitoring, and test systems, Upgrades, Emerging realtime technologies, New standards, Realtime safety and security, Feedback on experiences.

Organizers:

General Chair: Sergio Zimmermann, LBNL

Scientific Program Chair: Réjean Fontaine,
Université de Sherbrooke

Treasurer: Henrik von der Lippe, LBNL



Gamma Ray Energy Tracking In-Beam Array
(GRETINA)

RT2012.lbl.gov

Sponsors:



E-mail: RT2012@lbl.gov

Hosted by: Lawrence Berkeley National Laboratory,
a national laboratory operated by the University
of California for the U.S. Department of Energy



Location: Hotel Shattuck Plaza, Berkeley, CA

CS022170

AMU presentation

19 OCT 2020

2012 Berkeley



Chris Parkman award



Napa valley excursion



Students awards

Real Time Conference

May 26th(Mon)-30th(Fri), 2014

Nara Prefectural New Public Hall, Nara, Japan

APPLICATIONS INCLUDE

High energy physics, Nuclear physics,
Astropysics and astroparticle physics,
Nuclear fusion, Medical physics, Space instrumentation,
Nuclear power instrumentation, Reactor safety and safety,
General radiation instrumentation.

TOPICS

Front end test systems, Reactor system architectures,
Real-time signal processing,
Real-time transfer data and networks,
Trigger systems, Data acquisition,
Processing farms, Control, monitoring and test systems,
Algorithms, Emerging real-time technologies,
New standards, Reactor safety and security,
Feedback on experience, Reactor simulation.

WORKSHOP/TUTORIAL/SCHOOL

Before the conference: Workshop and Tutorial's Room
After the conference: School for Reactor system.

ORGANIZERS

General Chair

Masaharu Nomachi, Osaka University

Executive Committee

Shigeru ISE, ISE

Masaharu Nomachi, RCNP, Osaka University

Shinichiro ISE, ISE

Yoshinori ISE, ISE

Yoshinori ISE, ISE

Yoshinori ISE, ISE

Yoshinori ISE, ISE

Yoshinori ISE, ISE

Yoshinori ISE, ISE

Yoshinori ISE, ISE

Yoshinori ISE, ISE

Yoshinori ISE, ISE

Yoshinori ISE, ISE

Yoshinori ISE, ISE

Yoshinori ISE, ISE

Yoshinori ISE, ISE

Yoshinori ISE, ISE

Yoshinori ISE, ISE

Yoshinori ISE, ISE

Yoshinori ISE, ISE

Yoshinori ISE, ISE

Yoshinori ISE, ISE

Yoshinori ISE, ISE

Yoshinori ISE, ISE

Yoshinori ISE, ISE

Yoshinori ISE, ISE

Yoshinori ISE, ISE

Yoshinori ISE, ISE

Yoshinori ISE, ISE

Yoshinori ISE, ISE

Yoshinori ISE, ISE

Yoshinori ISE, ISE

Yoshinori ISE, ISE

Yoshinori ISE, ISE

Yoshinori ISE, ISE

Yoshinori ISE, ISE

Yoshinori ISE, ISE

Yoshinori ISE, ISE

Yoshinori ISE, ISE

Yoshinori ISE, ISE

Yoshinori ISE, ISE

Yoshinori ISE, ISE

Yoshinori ISE, ISE

Yoshinori ISE, ISE

Yoshinori ISE, ISE

Yoshinori ISE, ISE

Yoshinori ISE, ISE

Yoshinori ISE, ISE

Yoshinori ISE, ISE

Yoshinori ISE, ISE

Yoshinori ISE, ISE

Yoshinori ISE, ISE

Yoshinori ISE, ISE

Yoshinori ISE, ISE

Yoshinori ISE, ISE

Yoshinori ISE, ISE

Yoshinori ISE, ISE

Yoshinori ISE, ISE

Yoshinori ISE, ISE

Yoshinori ISE, ISE

Yoshinori ISE, ISE

Yoshinori ISE, ISE

Yoshinori ISE, ISE

Yoshinori ISE, ISE

Yoshinori ISE, ISE

Yoshinori ISE, ISE

Yoshinori ISE, ISE

Yoshinori ISE, ISE

Yoshinori ISE, ISE

Yoshinori ISE, ISE

Yoshinori ISE, ISE

2014 Nara



<http://rt2014.rcnp.osaka-u.ac.jp/>



Masaharu Nomachi
Chair

Indico ?



AMU presentation



1st Remote tutorial



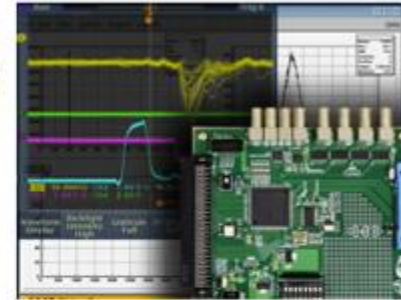
19 Oct 2020 *Senior Award*

AMU presentation

Students Awards

... and the 1st School on Real-Time Systems

International school
on real-time systems
in Osaka
2-7 June 2014



Home

Program
Laboratory Exercises
Lectures

Application

VISA

Local

Key Dates

Organization

RT2014 Conference



20th IEEE-NPSS REAL TIME CONFERENCE

06-10

PADOVA - ITALY

Deadline for abstract submission: 14 FEBRUARY 2016

JUNE

2016

TOPICS

From embedded systems to real-time system architecture, signal processing, real-time embedded tasks and networks, trigger systems, Data acquisition, Real-time diagnostics, Processing - farms, Control, monitoring and test systems, Upgrades, Emerging real-time technologies, New standards, Realtime safety and security, Feedback on experiences, Realtime simulation.

APPLICATIONS INCLUDE

High energy physics, Nuclear physics, Astrophysics and astroparticle physics, Nuclear fusion, Medical physics, Space instrumentation, Industrial power instrumentation, Realtime security and safety, General radiation instrumentation.

WORKSHOPS/TUTORIALS

Workshops and tutorials on 5 June 2016.

ORGANIZERS

General Chair

Adriano Luchetta, Consorzio RFX, Padova

Executive Committee

Martin Purschke, BNL

Adriano Luchetta, Consorzio RFX

David Abbott, Jefferson Lab

Marco Bellato, INFN Padova

Réjean Fontaine, Université de Sherbrooke

Patrick Le Dégerné, Lyon

ZhenAn Liu, IHEP

Gabriele Manduchi, Consorzio RFX

Niko Neufeld, CERN

Stefan Ritt, Paul Scherrer Institute

Local Organizing Committee

Gabriele Manduchi, Consorzio RFX

Margherita Basso, Consorzio RFX



<http://www.igi.cnr.it/rt2016>
email: rt2016@igi.cnr.it



*Adriano Luchetta
Chair*



*Martin Purschke
CANPS Chair*



20th IEEE Real Time Conference
5-10 June 2016 - Padova



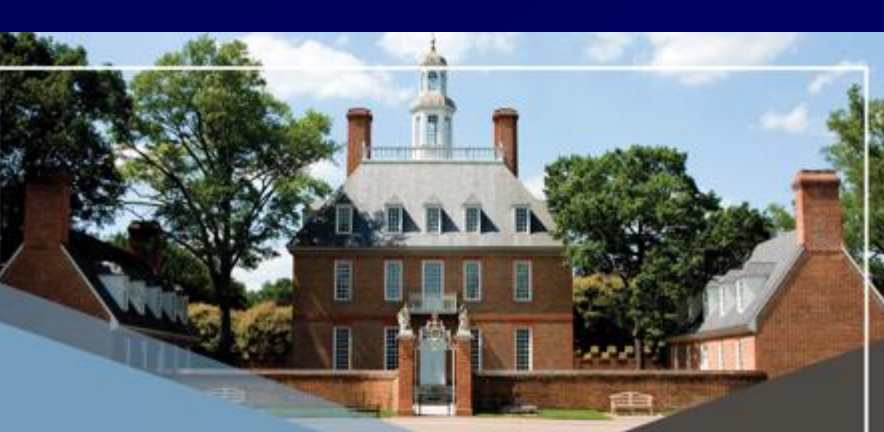
Padova 2016 *University plenary session*

*Senior Award
Roger Lecomte*



Student Awards





JUNE 11-15,
2018

21ST IEEE REAL TIME CONFERENCE

Colonial Williamsburg, Virginia - USA



APPLICATIONS:

High Energy Physics, Nuclear Physics, Nuclear Fusion, Nuclear Power Instrumentation, Astrophysics and Astro-Particle Physics, Space Instrumentation, Medical Physics, General Radiation Instrumentation, Realtime Security and Safety.

TOPICS:

- Emerging Technologies
- New Standards
- Data Acquisition
- Upgrades
- Feedback on Experiences
- Control, Monitoring, Test and Real Time Diagnostics Systems
- Trigger Systems
- Real Time System Architectures and Intelligent Signal Processing
- Fast Data Transfer Links and Networks
- Front End Electronics and Fast Digitizers
- Processing Farms
- Real Time Simulation

WORKSHOP/TUTORIALS:

JUNE 9-10, 2018

ORGANIZERS:

GENERAL CHAIR:

David Abbott (Jefferson Lab)

EXECUTIVE COMMITTEE:

- Martin Grossmann (PSI)
- David Abbott (Jefferson Lab)
- Martin Purschke (BNL)
- Patrick Le DG (IPN Lyon)
- Réjean Fontaine (Université de Sherbrooke)
- Zhen'An Liu (IHEP)
- Pierre Amaudruz (TRIUMF)
- Sacha Schmeling (CERN)
- Christian Bohm (University of Stockholm)
- Stefan Ritt (PSI)

2018



*David Abbott
Chair*



*Martin Grossmann
CANPS Chair*



AMU presentation

Jefferson Lab



Email: rt2018@jlab.org
<https://indico.cern.ch/e/rt2018>

2018 Williamsburg



Senior Award



Student Award

First WIE session



CANPS Committee in 2020

Abbott, David, Jefferson Lab
Amaudruz, Pierre-André, Triumpf
Bohm, Christian, University Stockholm
Calvet, Denis, CEA Saclay
Drake, Gary, Argonne
Erickson, Keith, Princeton
Fontaine, Rejean, Université Sherbrooke
Fox, Ron, Michigan State University
Goncalves, Bruno, IPFN Lisbon
Grossmann, Martin, Paul Scherrer Institut
Hai, Vo Hong, Vietnam National University
Huffer, Mike, SLAC
Itoh, Ryosuke, KEK
Jezynski, Tomasz, DESY
Kuehn, Wolfgang, Uni Giessen
Larsen, Ray, SLAC
LeDû, Patrick, CEA Saclay (retired)
Levinson, Lorne, Weizmann Institute

Liu, Ted, Fermilab
Liu, Zhen'An, IHEP Beijing
Luchetta, Adriano, Consorzio RFX, Euratom ENEA
Makowski, Dariusz, Lodz University of Technology
Neufeld, Niko, CERN
Nomachi, Masaharu, Graduate school of science
Paoletti, Riccardo, University of Siena and INFN Pisa
Purschke, Martin, Brookhaven National Laboratory
Rehlich, Kay, DESY
Ritt, Stefan, Paul Scherrer Institute
Schmeling, Sascha, CERN
Shu, Yantai, Tianjin University
Tang, Fukun, University of Chicago
Tetrault, Marc-Andre, Harvard
Varela, Joao, CERN
Vega, Jesus, EURATOM/CIEMAT
Wu, Jin-Yuan, Fermilab
Zimmermann, Sergio, LBNL

36 'appointed' Members

- 14 North America
- 16 EU /R8
- 6 Asia



*Martin Grossmann
Canps Chair*

Conclusions

- I enjoyed very much to be part of this adventure over the last 27 years
- I met a lot of incredible people
- RT is a great 'small' **human** conference with a lot of opportunities for young people to participate to the organisation