

Complete Parallel Readout VME DAQ System



Hidetada Baba
RIKEN Nishina Center, Japan

H. Baba¹, T. Ichihara¹, T. Ohnishi¹, K. Yoshida¹, Y. Watanabe¹, S. Ota², S. Shimoura², R. Yokoyama²,
S. Takeuchi³, D. Nishimura⁴ and A. Tokiyasu⁵

¹RIKEN Nishina Center, Wako, Saitama 351-0198, Japan

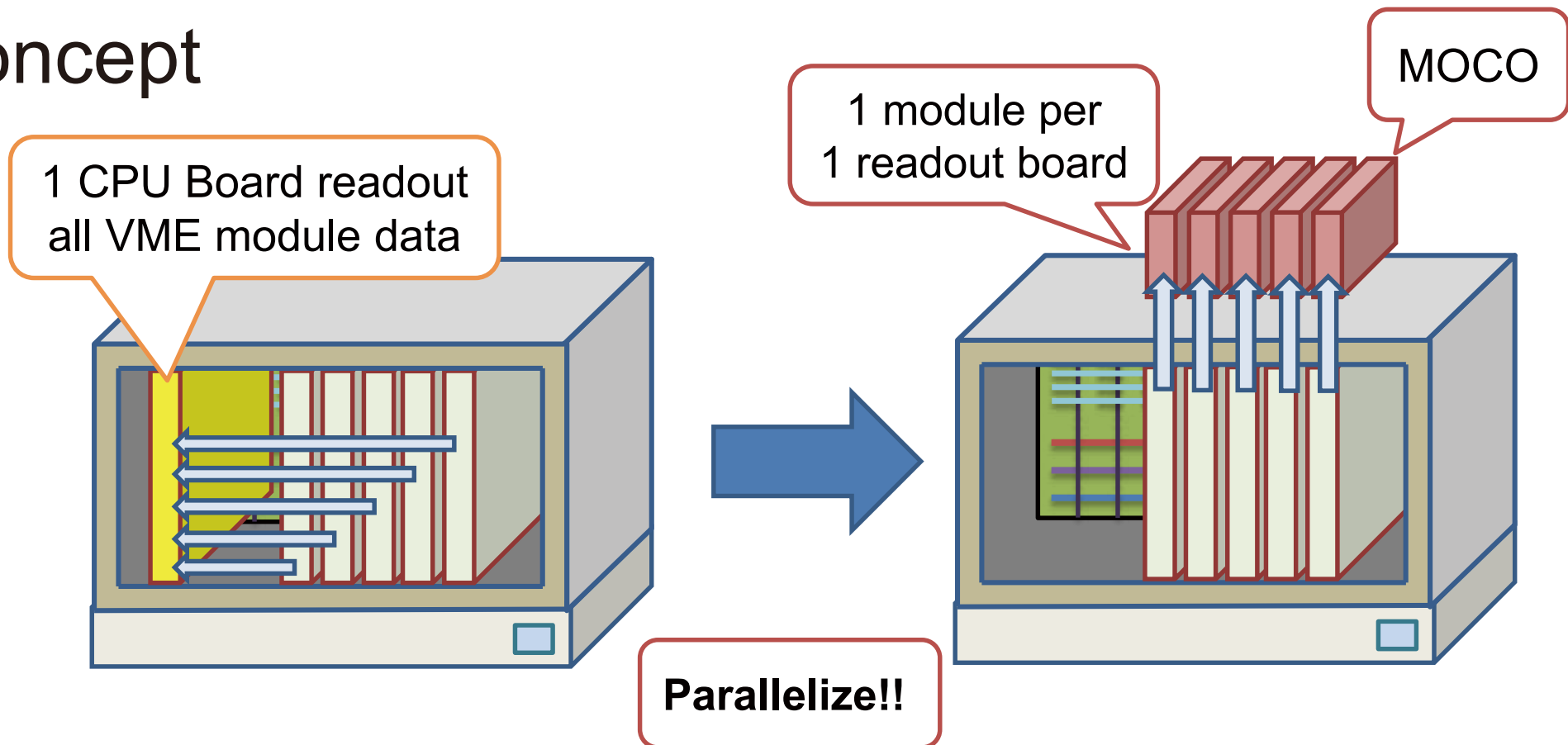
²Center for Nuclear Study, University of Tokyo, Wako, Saitama 351-0198, Japan

³Department of Physics, Tokyo Institute of Technology, O-okayama, Tokyo 152-8551, Japan

⁴Department of Physics, Tokyo University of Science, Noda, Chiba 278-8510, Japan

⁵Research Center for Electron Photon Science, Tohoku University, Sendai, Miyagi 982-0826, Japan

Concept



Complete Parallel Readout VME DAQ System



Hidetada Baba
RIKEN Nishina Center, Japan

H. Baba¹, T. Ichihara¹, T. Ohnishi¹, K. Yoshida¹, Y. Watanabe¹, S. Ota², S. Shimoura², R. Yokoyama²,
S. Takeuchi³, D. Nishimura⁴ and A. Tokiyasu⁵

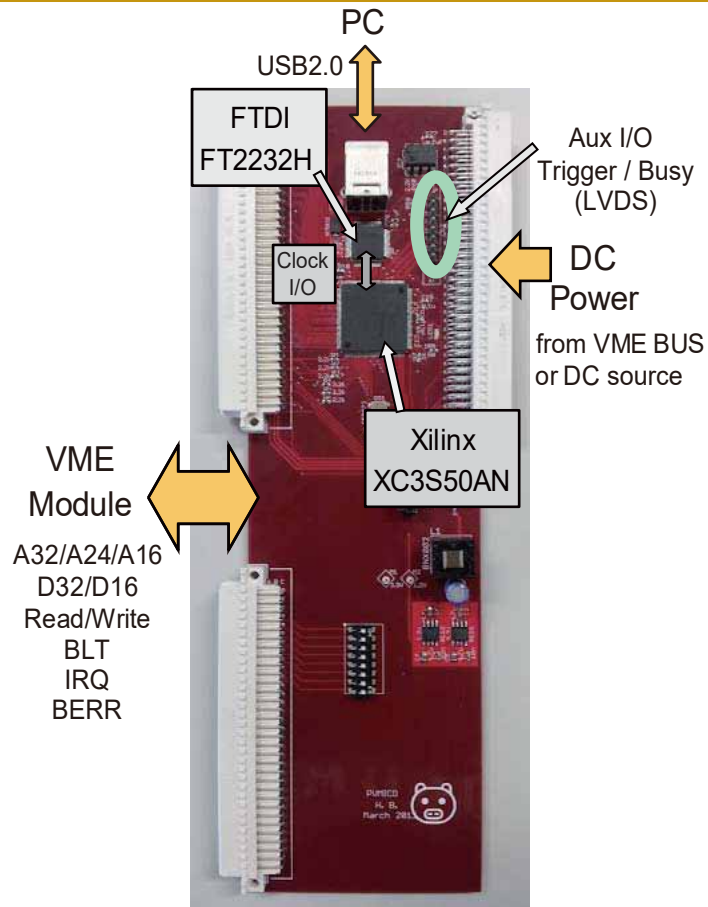
¹RIKEN Nishina Center, Wako, Saitama 351-0198, Japan

²Center for Nuclear Study, University of Tokyo, Wako, Saitama 351-0198, Japan

³Department of Physics, Tokyo Institute of Technology, O-okayama, Tokyo 152-8551, Japan

⁴Department of Physics, Tokyo University of Science, Noda, Chiba 278-8510, Japan

⁵Research Center for Electron Photon Science, Tohoku University, Sendai, Miyagi 982-0826, Japan



Production cost < €150

