

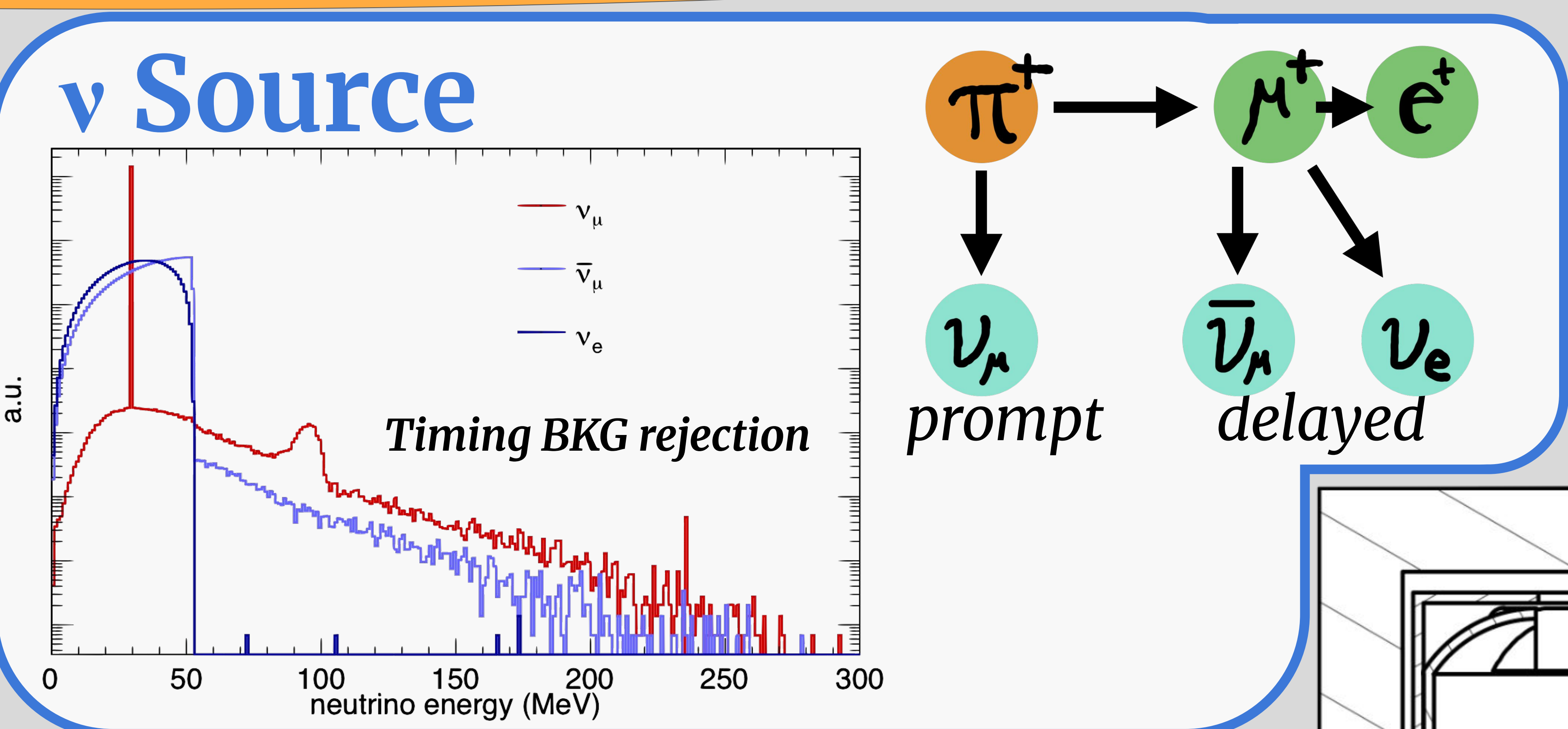
# $\nu_e$ CC on Ar with $\pi$ DAR



## Motivation

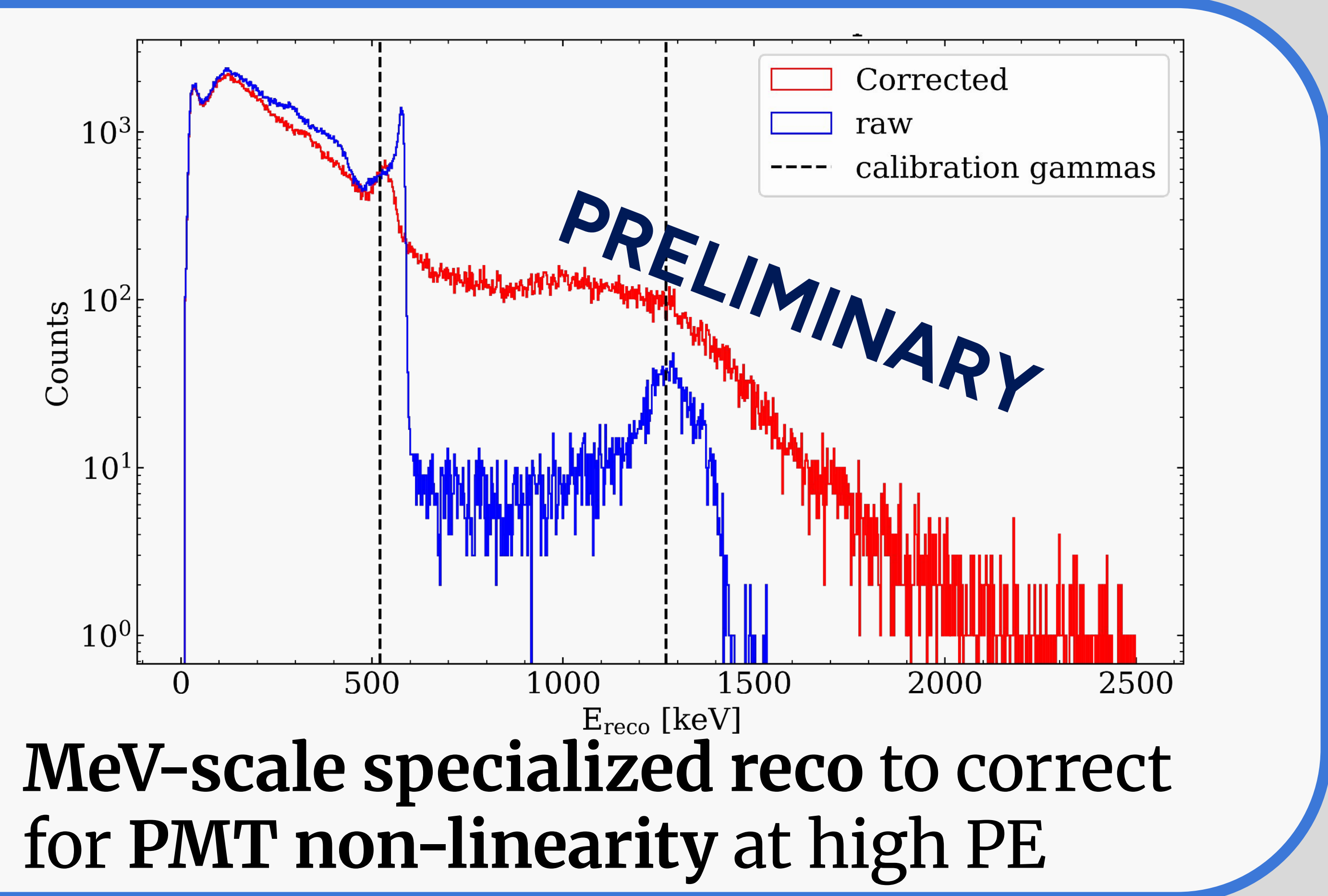
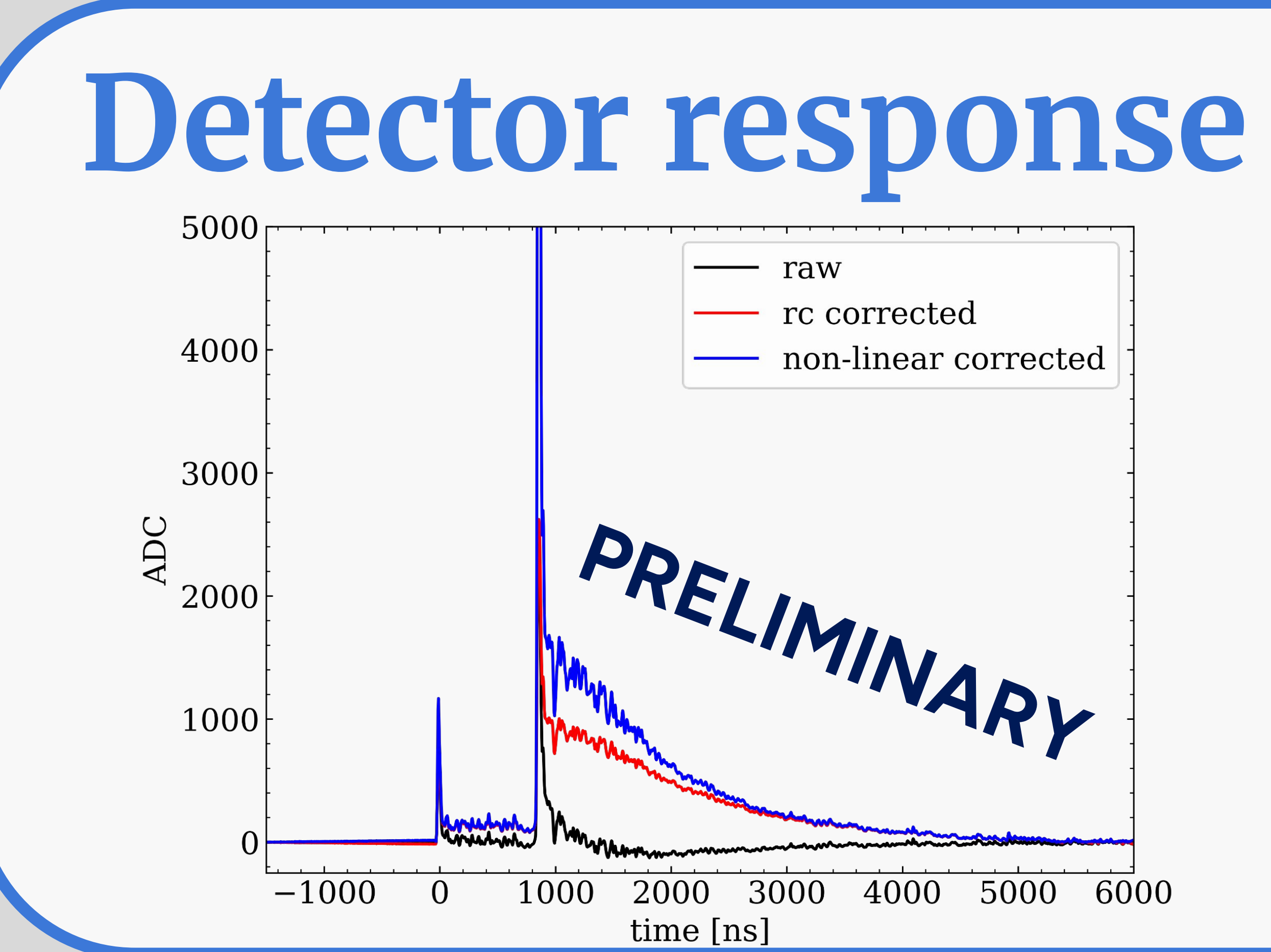
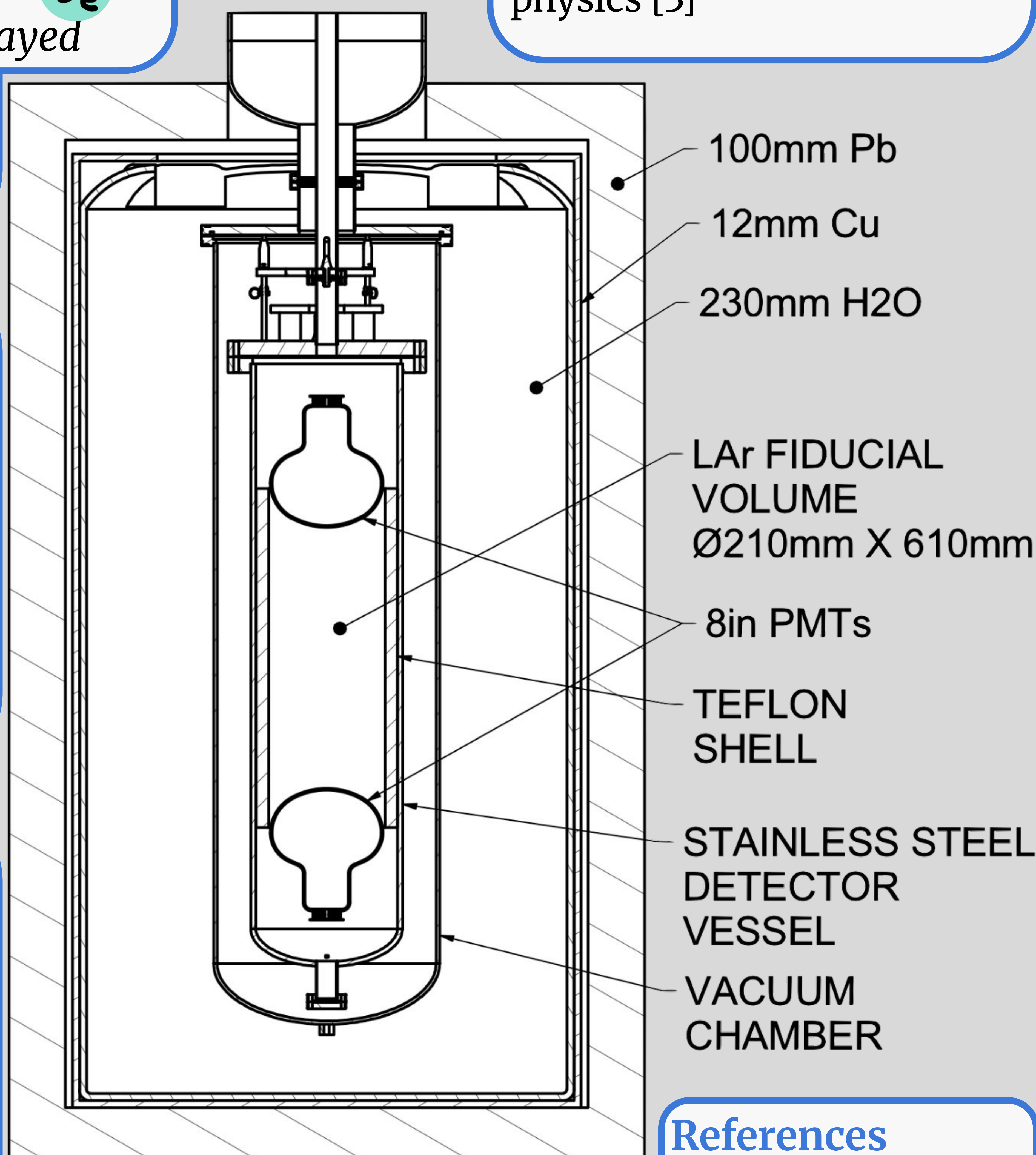
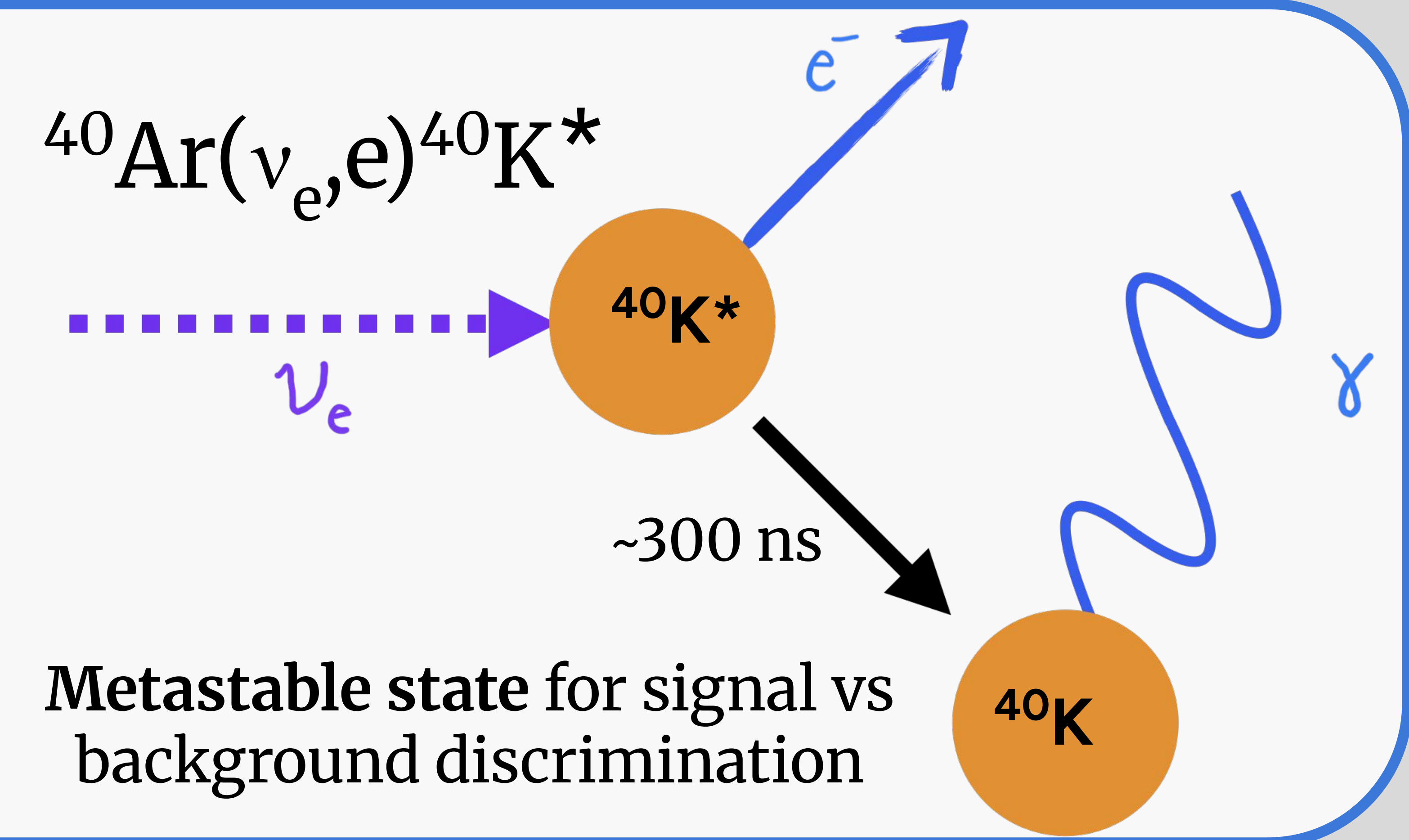
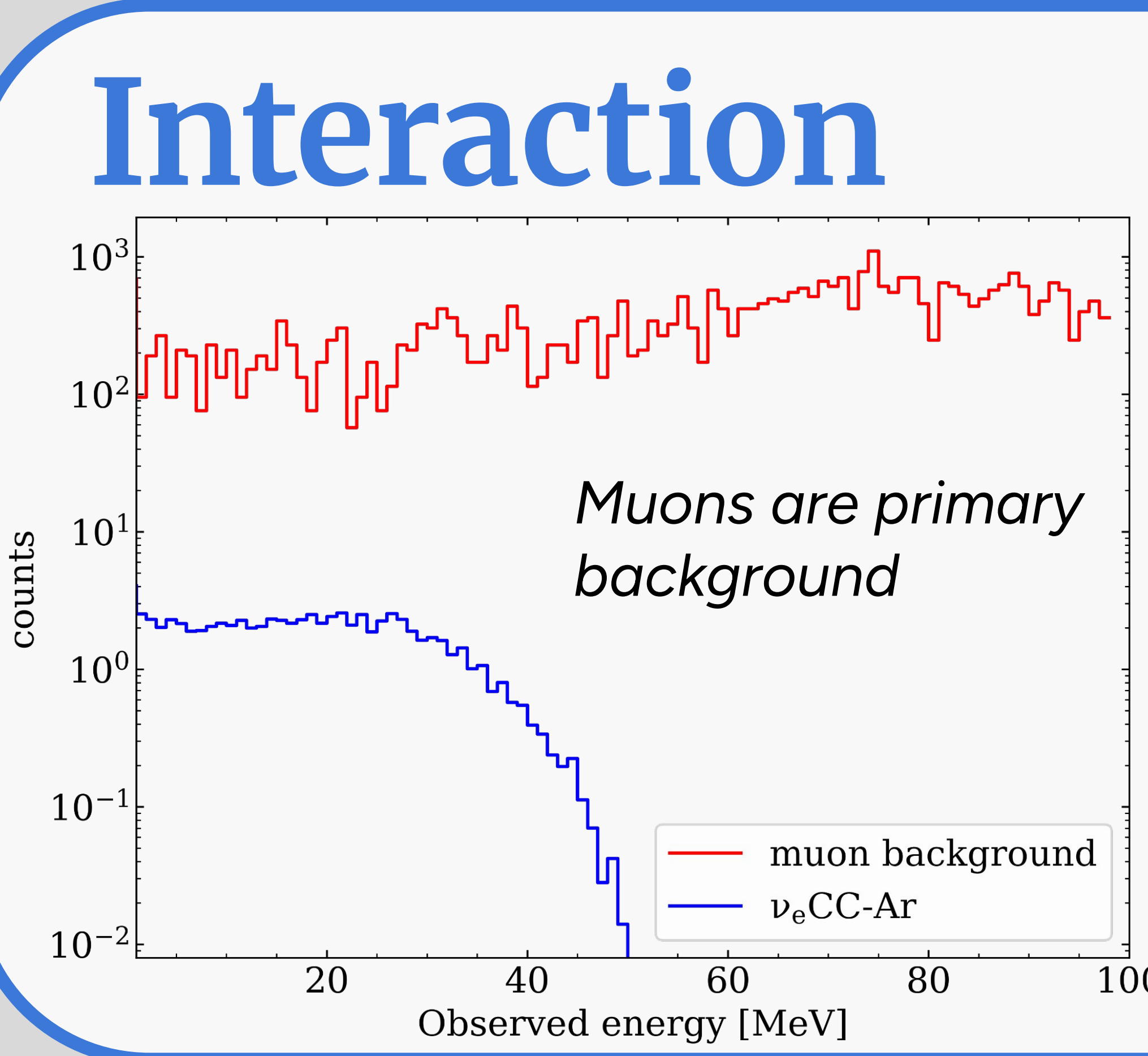
Poorly constrained at low E – only one <100 MeV measurement [1]

Critical for DUNE supernova physics [2]



## Detector

First measurement of CEvNS on Ar in 2021 with COH-Ar-10, tuned for keV physics [3]



## References

[1] arxiv:2605.12769 [hep-ex]  
 [2] Phys.Rev.D 107 (2023) 11, 112012  
 [3] Phys.Rev.Lett. 126 (2021) 1, 012002

