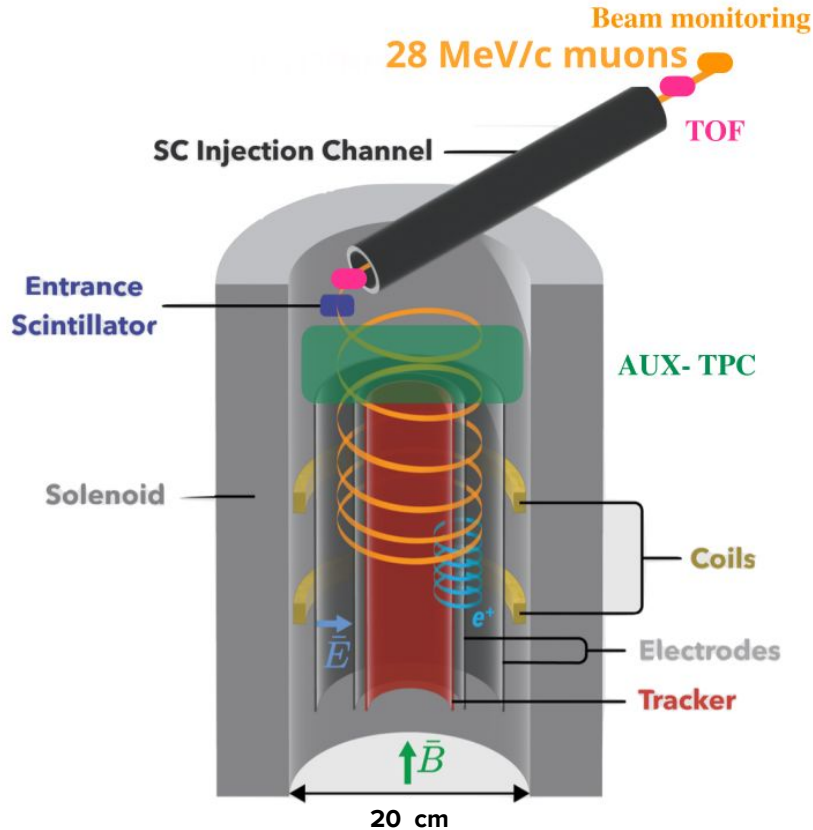


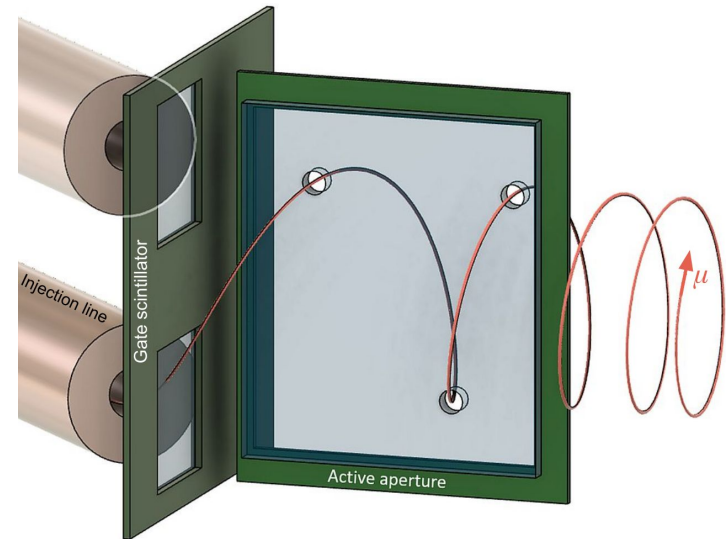
# Trigger and DAQ System for the muEDM Experiment

Carlo Veo, Poster ID #150



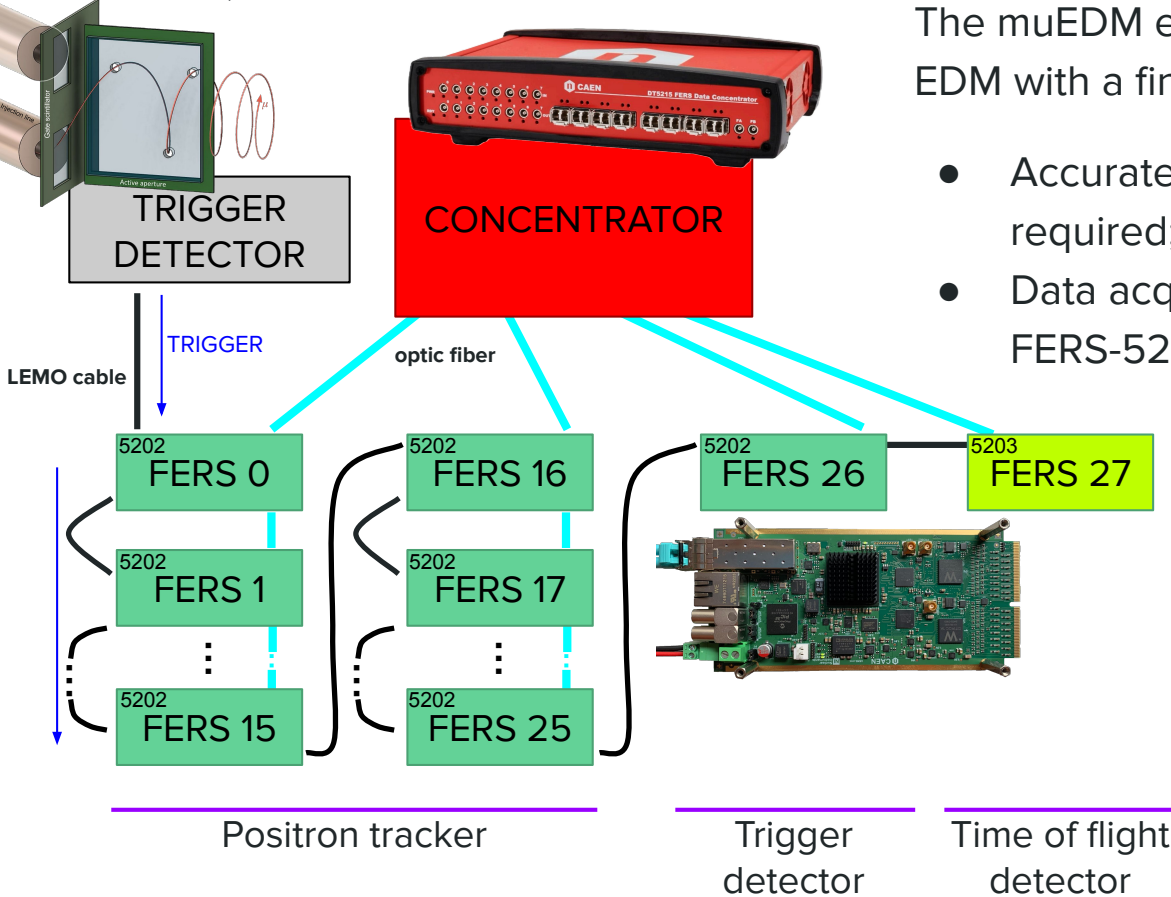
The muEDM experiment aims to measure the muon EDM with a final sensitivity of  $\sigma_d < 6 \times 10^{-23}$  e cm

- Accurate phase space selection of muons is required;



# Trigger and DAQ System for the muEDM Experiment

Carlo Veo, Poster ID #150



The muEDM experiment aims to measure the muon EDM with a final sensitivity of  $\sigma_d < 6 \times 10^{-23}$  e cm

- Accurate phase space selection of muons is required;
- Data acquisition system based on CAEN FERS-5200 boards;
- DAQ software implemented into MIDAS.

Warning: Alarm! Innovaare burning!

Run Status

Run 200 Start: Fri Dec 5 16:03:56 2025 Running time: 0h23m24s

Running Alarms: On runStatusSequencer Data dir: /home/muedm/online/TB2025/

1764948436 16:27:16.010 2025/12/05 [mhttpd,TALK] Warning: Alarm! Innovaare burning!

Equipment

Equipment +	Status	Events	Events/s	Data[MB/s]
FersDAQ	OK	179	0.6	0.005
TTI01	TTI Frontend01@localhost	24	0.0	0.000
FersService	FERS Frontend@localhost	139	0.3	0.000
FersSC	FERS Frontend@localhost	140	0.3	0.000
muedm-server_msysmon	Frontend stopped	0	0.0	0.000
SCS3000_Hall	Frontend stopped	78	1.0	0.000
CryostatTemperatures	Frontend stopped	17	0.7	0.000